

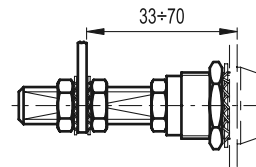
## Latches with lock

- **Stator**  
Brass-plated zinc alloy.
- **Rotor**  
Chrome-plated zinc alloy.
- **Front plate**  
Stainless steel.
- **Nut**  
Brass (M19x1).
- **Flat spring washer**  
Zinc-plated steel.
- **Closing lever**  
Zinc-plated steel, 2.5 mm thickness. Assembly by means of hexagonal nut M6x0.75 (l1=13 and 16 mm), with screw M5x5 (l1=20 mm) or with screw M5x8 (l1=25 and 30 mm).
- **Two keys**  
Nickel-plated brass, removable in two positions at 180°.
- **Rotation**  
180°.
- **Standard executions available**
  - CS.: lock with 400 different combinations. Each lock has a key with different combination.
  - CSU.: lock with one combination. All locks have a key with the same combination.

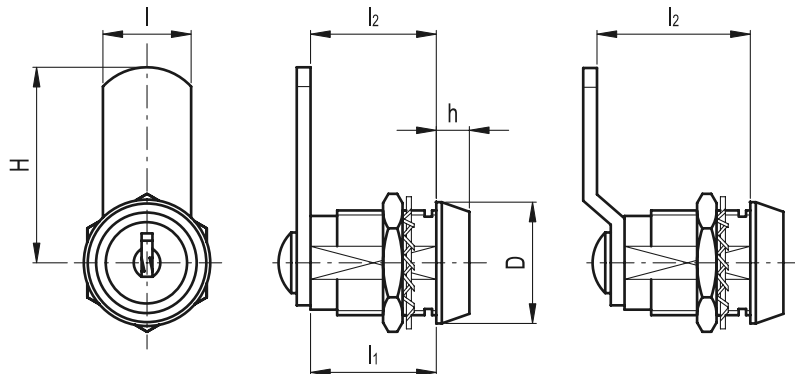
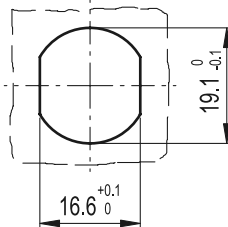


### Special executions and accessories (For sufficient quantities)

- Closing levers in other dimensions.
- Brass threaded extension for prolonged positioning of the lever, only for stator lengths 20, 25 and 30 mm (code 421137 description C.PQ M5/58).



Drilling template



Standard Elements		Main dimensions							ΔΔ
Code	Description	H	l1	l2	D	h	l	g	
421411	CS.13-32-13	32	13	13	23	5	16	41	
421413	CS.16-32-16	32	16	16	23	5	16	47	
421415	CS.20-32-20	32	20	20	23	5	16	55	
421417	CS.25-32-25	32	25	25	23	5	16	64	
421419	CS.30-32-30	32	30	30	23	5	16	73	
421431	CS.13-36-18	35.5	13	18	23	5	16	43	
421433	CS.16-36-21	35.5	16	21	23	5	16	49	
421435	CS.20-36-25	35.5	20	25	23	5	16	57	
421437	CS.25-36-30	35.5	25	30	23	5	16	66	
421439	CS.30-36-35	35.5	30	35	23	5	16	75	
421451	CSU.13-32-13	32	13	13	23	5	16	41	
421453	CSU.16-32-16	32	16	16	23	5	16	47	
421455	CSU.20-32-20	32	20	20	23	5	16	55	
421457	CSU.25-32-25	32	25	25	23	5	16	64	
421459	CSU.30-32-30	32	30	30	23	5	16	73	
421471	CSU.13-36-18	35.5	13	18	23	5	16	43	
421473	CSU.16-36-21	35.5	16	21	23	5	16	49	
421475	CSU.20-36-25	35.5	20	25	23	5	16	57	
421477	CSU.25-36-30	35.5	25	30	23	5	16	66	
421479	CSU.30-36-35	35.5	30	35	23	5	16	75	