



Latches with recessed key

PA

Material

Stator, rotor, closing lever and nut (M22x1.5) in glass-fibre reinforced polyamide based (PA) technopolymer certified self-extinguish **UL-94 V0**. Resistant to solvents, oils, greases and other chemical agents.

Colour

Black, matte finish.

Sealing washer

SBR rubber.

Self-tapping screw

Zinc-plated steel.

Key

Polyamide based (PA) technopolymer.

Rotation

90°.

IP protection

IP 65 protection class, according to IEC 529 table (see page 503).

Standard executions available

- CQT/A: mark for two-wings key.

- CQT/T: mark for triangular key.

Special executions on request (For sufficient quantities)

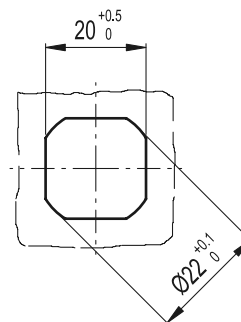
Cylindrical body of the closing lever in other dimensions.

Technical data

The "V0" certification in accordance with **UL-94 V (Underwriters Laboratories)** (see Technical Data on page A5) indicates that on a plastic test sample with specific shape and dimensions, in the vertical position, the flame is extinguished within 10 seconds, without generating incandescent drops.

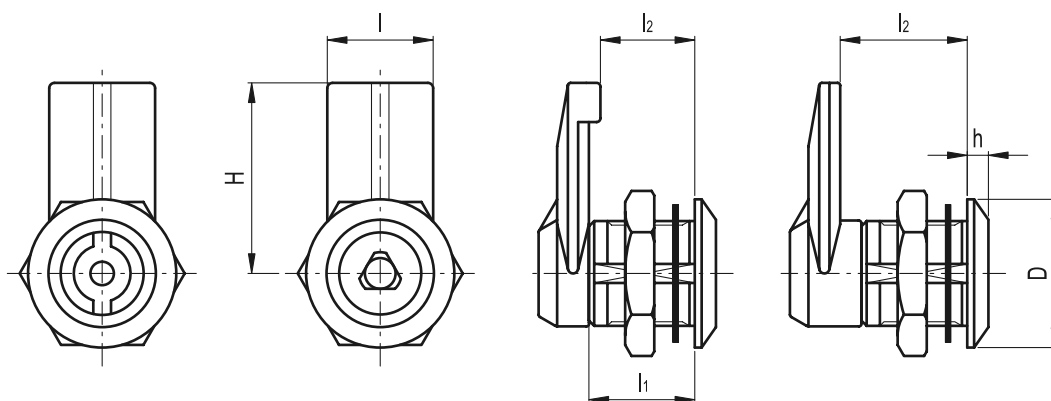


Drilling template



CQT/A

CQT/T



Standard Elements		Main dimensions						△
Code	Description	H	l ₂	D	h	l	l ₁	g
421393	CQT/A-32-18 AE-V0	32	18	28	4	20	20	20
421391	CQT/A-32-20 AE-V0	32	20	28	4	20	20	20
421395	CQT/A-32-24 AE-V0	32	24	28	4	20	20	21
421397	CQT/A-32-32 AE-V0	32	32	28	4	20	20	23
421403	CQT/T-32-18 AE-V0	32	18	28	4	20	20	20
421401	CQT/T-32-20 AE-V0	32	20	28	4	20	20	20
421405	CQT/T-32-24 AE-V0	32	24	28	4	20	20	21
421407	CQT/T-32-32 AE-V0	32	32	28	4	20	20	23