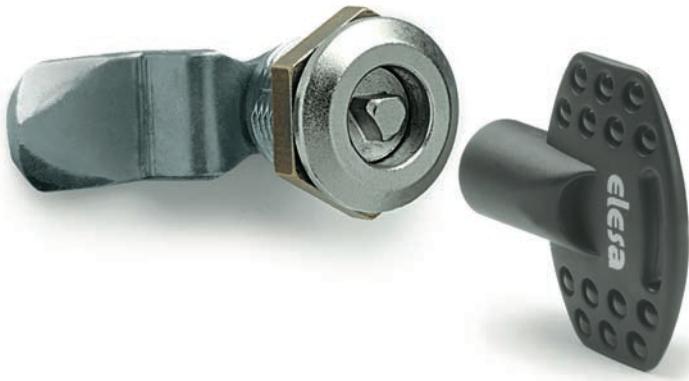
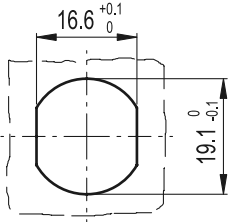


## Latches with recessed key

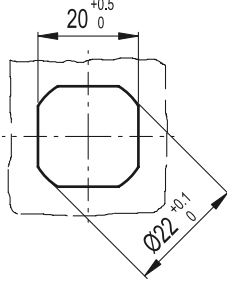


- **Stator and rotor**  
Nickel-plated zinc alloy.
- **Nut**  
Brass (M19x1 or M22x1.5).
- **Shaped closing lever**  
Zinc-plated steel, thicknesses:  
- 2.5 mm (for nut M19x1)  
- 3 mm (for nut M22x1.5).
- **Spring washer**  
Zinc-plated steel.
- **Sealing washer**  
- PVC (for nut M19x1)  
- SBR rubber (for nut M22x1.5).
- **Screw**  
Zinc-plated steel (M5x8).
- **Key**  
Polyamide based (PA) technopolymer.
- **Rotation**  
90°.
- **IP protection**  
IP 65 protection class, according to IEC 529 table (see page 503).
- **Standard executions available**  
- CQ/A: mark for two-wings key.  
- CQ/T: mark for triangular key.

Drilling template  
(for stator M19)



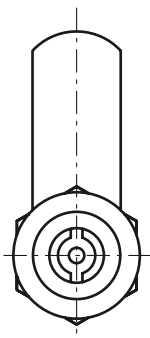
Drilling template  
(for stator M22)



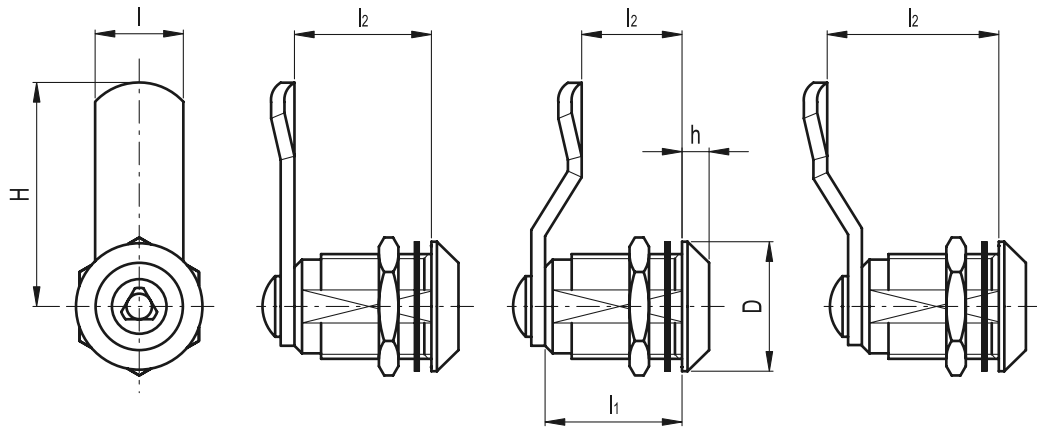
### Special executions and accessories (For sufficient quantities)

- Closing levers in other dimensions.
- Brass threaded extension for prolonged positioning of the lever (code 421137 description C.PQ M5/58).

CQ/A



CQ/T



Standard Elements				Main dimensions						⚖
Code	Description	Code	Description	H	l <sub>2</sub>	D	h	l	l <sub>1</sub>	g
421301	CQ/A-M19x1-36-20	421341	CQ/T-M19x1-36-20	35.5	20	22	4	16	20	73
421303	CQ/A-M19x1-36-25	421343	CQ/T-M19x1-36-25	35.5	25	22	4	16	20	75
421305	CQ/A-M19x1-36-30	421345	CQ/T-M19x1-36-30	35.5	30	22	4	16	20	79
421307	CQ/A-M19x1-36-35	421347	CQ/T-M19x1-36-35	35.5	35	22	4	16	20	83
421313	CQ/A-M22x1.5-45-16	421353	CQ/T-M22x1.5-45-16	45	16	28	4	20	20	85
421315	CQ/A-M22x1.5-45-18	421355	CQ/T-M22x1.5-45-18	45	18	28	4	20	20	87
421311	CQ/A-M22x1.5-45-20	421351	CQ/T-M22x1.5-45-20	45	20	28	4	20	20	83
421317	CQ/A-M22x1.5-45-24	421357	CQ/T-M22x1.5-45-24	45	24	28	4	20	20	91
421319	CQ/A-M22x1.5-45-28	421359	CQ/T-M22x1.5-45-28	45	28	28	4	20	20	93
421321	CQ/A-M22x1.5-45-30	421361	CQ/T-M22x1.5-45-30	45	30	28	4	20	20	94
421323	CQ/A-M22x1.5-45-32	421363	CQ/T-M22x1.5-45-32	45	32	28	4	20	20	95