

## Latches with recessed key

- **Stator and rotor**  
AISI 304 stainless steel.
- **Shaped closing lever**  
AISI 304 stainless steel, 4 mm thickness.
- **Nut**  
AISI 304 stainless steel (M22x1.5).
- **Sealing washer**  
SBR rubber.
- **Screw**  
AISI 304 stainless steel (M6x10).
- **Key**  
Polyamide based (PA) technopolymer.
- **Rotation**  
90°.
- **IP protection**  
IP 65 protection class, according to IEC 529 table (see page 503).
- **Standard executions available**
  - CQ/A-SST: mark for two-wings key.
  - CQ/T-SST: mark for triangular key.



13

864

Latches

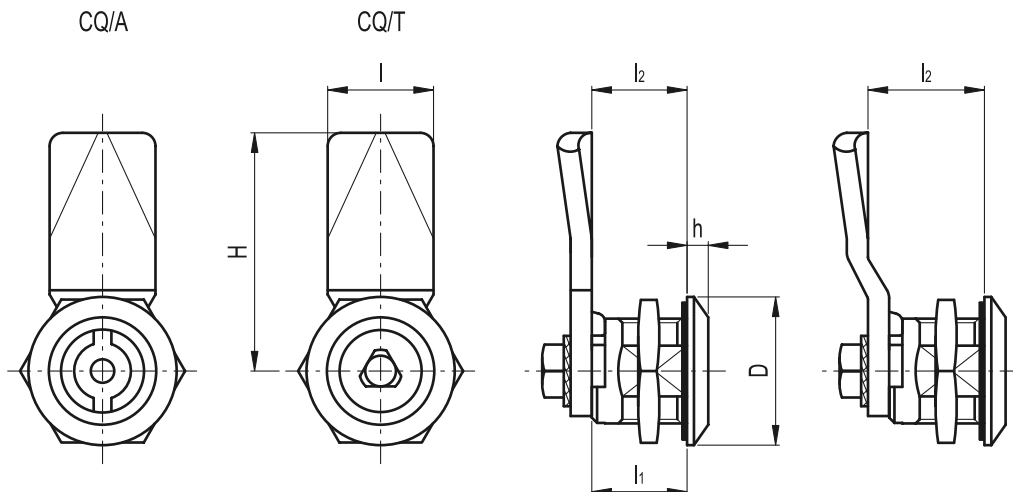
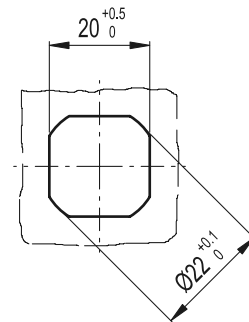
### Special executions on request (For sufficient quantities)

Closing levers in other dimensions.

### Features and applications

AISI 304 stainless steel, thanks to its high resistance to corrosion, allows the application of these latches on machines and equipment in those sectors where laws or particular hygienic, climatic and environmental factors make it mandatory to use corrosion resistant materials.

Drilling template



Standard Elements		Main dimensions						△△
Code	Description	H	l <sub>2</sub>	D	h	l	l <sub>1</sub>	g
421331	CQ/A-45-18-SST	45	18	28	4	20	18	88
421337	CQ/A-45-24-SST	45	24	28	4	20	18	95
421371	CQ/T-45-18-SST	45	18	28	4	20	18	91
421377	CQ/T-45-24-SST	45	24	28	4	20	18	98



**ELESA-GANTER**

ELESA and GANTER models all rights reserved in accordance with the law. Always mention the source when reproducing our drawings.