

VC.309

ELESA Original design

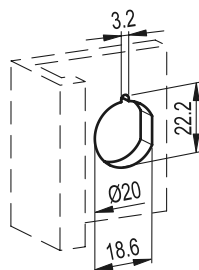
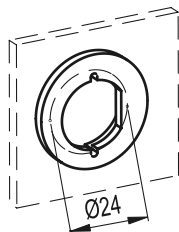
Latch-type knobs with lock



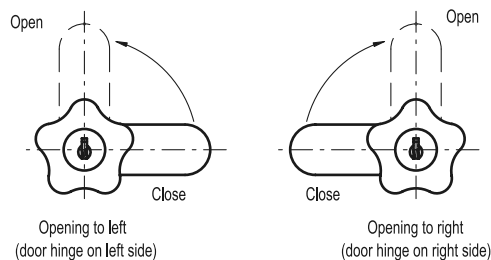
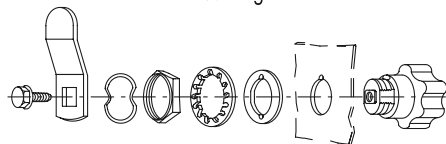
- **Knob**
High-resilience polypropylene based (PP) technopolymer. Resistant to solvents, oils, greases and other chemical agents.
- **Colour**
Black, matte finish.
- **Stator and rotor**
Zamac.
- **Incorporated lock**
Stainless steel front plate.
Movement of the knob at 90°.
- **Nut**
Brass.
- **Spring washer**
Zinc-plated steel.
- **Positioning washer**
Zinc-plated steel, thickness 1.2 mm to be welded to the sheet of the door in case of thin thickness.
- **Closing lever**
Zinc-plated steel.
- **Two keys**
Nickel-plated brass, removable in two positions at 180° (locked and unlocked position).
- **Standard executions available**
 - D: opening to the right side
 - S: opening to the left side

Washer (standard accessory) to be welded to door (when this is too thin for direct fitting)
Ø 24 mm hole.

Drilling template for direct fitting.



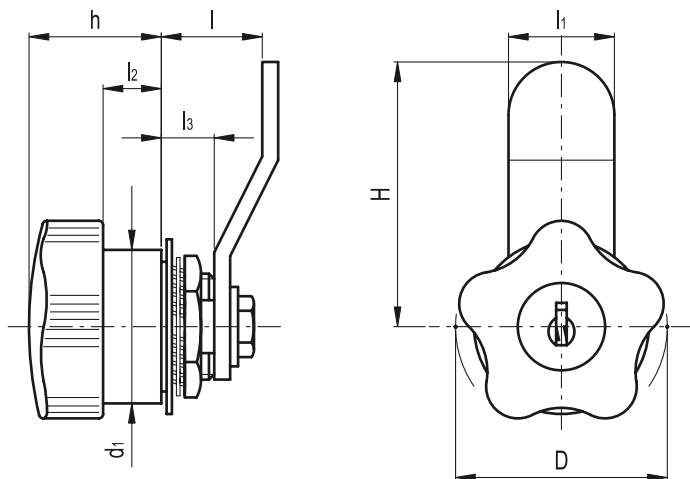
Mounting



- VC.: lock with 400 different combinations. Each lock has a key with different combination.
- VC.U: lock with one combination. All locks have a key with the same combination.
- VC.M: lock with 160 different combinations and master-key. Each lock has a different combination and a key with different combination. Two master-keys, which open all of them, are supplied for every purchase order.
- VC.SS: without lock. The knob can be used for opening to the right or to the left side without distinction.

Special executions on request

Threaded extension to position the closing lever when $l > 18$ mm.



Standard Elements		Main dimensions								
Code	Description	D	h	d1	l±0.5	l1	l2	l3	H	g
68121	VC.309/40-D	40	25	29	18	20	11	10	48	146
68122	VC.309/40-S	40	25	29	18	20	11	10	48	146
68123	VC.309/40-UD	40	25	29	18	20	11	10	48	146
68124	VC.309/40-US	40	25	29	18	20	11	10	48	146
68125	VC.309/40-MD	40	25	29	18	20	11	10	48	146
68126	VC.309/40-MS	40	25	29	18	20	11	10	48	146
68131	VC.309/40-SS	40	25	29	18	20	11	10	48	115