

# VC.308

ELESA Original design

## Latch-type knobs with lock



### • Knob

High-resilience polypropylene based (PP) technopolymer. Resistant to solvents, oils, greases and other chemical agents.

### • Colour

Black, matte finish.

### • Stator and rotor

Zamac.

### • Incorporated lock

Stainless steel front plate.

Movement of the knob at 90°.

### • Nut

Brass.

### • Spring washer

Zinc-plated steel.

### • Positioning washer

Zinc-plated steel, thickness 1.2 mm to be welded to the sheet of the door in case of thin thickness.

### • Closing lever

Zinc-plated steel.

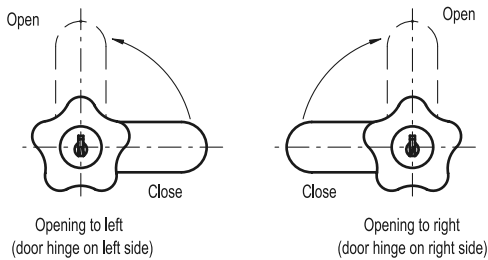
### • Two keys

Nickel-plated brass, removable in two positions at 180° (locked or unlocked position).

### • Standard executions available

- D: opening to the right side

- S: opening to the left side



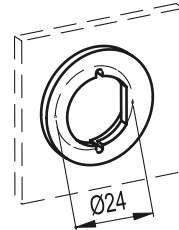
- VC.: lock with 400 different combinations. Each lock has a key with different combination.
- VC.U: lock with one combination. All locks have a key with the same combination.
- VC.M: lock with 160 different combinations and master-key. Each lock has a different combination and a key with different combination. Two master-keys, which open all of them, are supplied for every purchase order.
- VC.SS: without lock. The knob can be used for opening to the right or to left side without distinction.

### Accessories on request (For sufficient quantities)

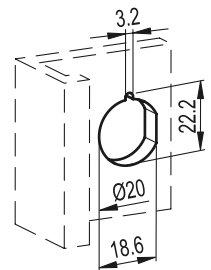
Threaded extension to position the closing lever with  $l > 10$  mm.



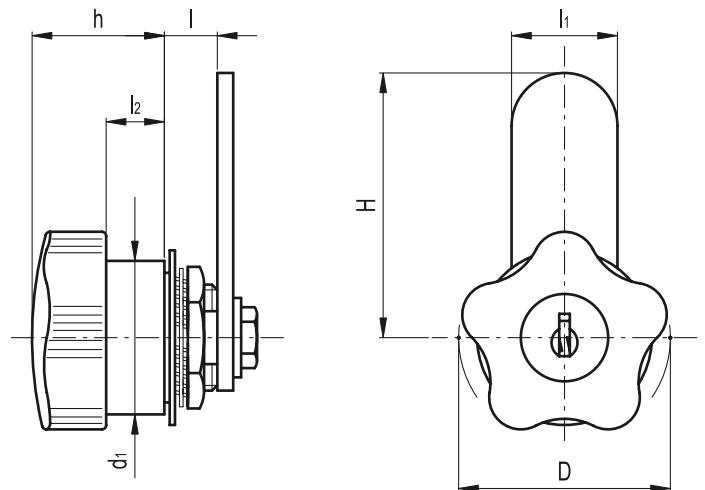
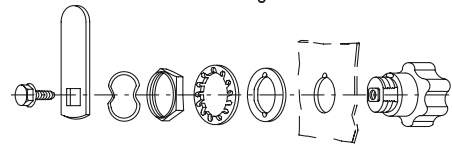
Washer (standard accessory) to be welded to door (when this is too thin for direct fitting)  
Ø 24 mm hole.



Drilling template for direct fitting.



Mounting



| Standard Elements |              | Main dimensions |    |    |      |    |    |    |     | △/△ |
|-------------------|--------------|-----------------|----|----|------|----|----|----|-----|-----|
| Code              | Description  | D               | h  | d1 | ±0.5 | l1 | l2 | H  | g   |     |
| 68101             | VC.308/40-D  | 40              | 25 | 29 | 10   | 20 | 11 | 50 | 146 |     |
| 68102             | VC.308/40-S  | 40              | 25 | 29 | 10   | 20 | 11 | 50 | 146 |     |
| 68103             | VC.308/40-UD | 40              | 25 | 29 | 10   | 20 | 11 | 50 | 146 |     |
| 68104             | VC.308/40-US | 40              | 25 | 29 | 10   | 20 | 11 | 50 | 146 |     |
| 68105             | VC.308/40-MD | 40              | 25 | 29 | 10   | 20 | 11 | 50 | 146 |     |
| 68106             | VC.308/40-MS | 40              | 25 | 29 | 10   | 20 | 11 | 50 | 145 |     |
| 68111             | VC.308/40-SS | 40              | 25 | 29 | 10   | 20 | 11 | 50 | 115 |     |