

GN 117

Door locks

- **Star knob**
DIN 6336 polyamide based (PA) technopolymer with tapped blind hole.
- **Cam**
Sheet metal, zinc-plated and blue passivated.
- **Spindle and spacer tube**
Tube steel, zinc-plated and blue passivated.

Assembly instructions

By turning the door clockwise the stepped and spring-loaded cam will move up behind the door frame.

The wide "pulling-in" range of the cam (10mm) allows these locks to be used successfully on doors with sealing strips. When selecting distance "Z" the thickness of the door seal might have to be taken into consideration.

The spring loaded cam prevents the door from opening under vibration.

A hole by $\varnothing 16$ mm is required in the door at a distance of 23mm from the edge to hole centre.

The spindle is inserted from the front. The spacer, cam and disc springs follow on the shaft on the inside in the sequence. The self-locking nut is fitted with a torque to allow free movement of the door lock.

Features and applications

GN 117 door locks are well known for their robust construction; they are vibration proof and they have a large pulling-in range of up to 10mm. Loking is achieved by turning the knob clockwise.

Attention is drawn to its simple and hence cost saving installation.

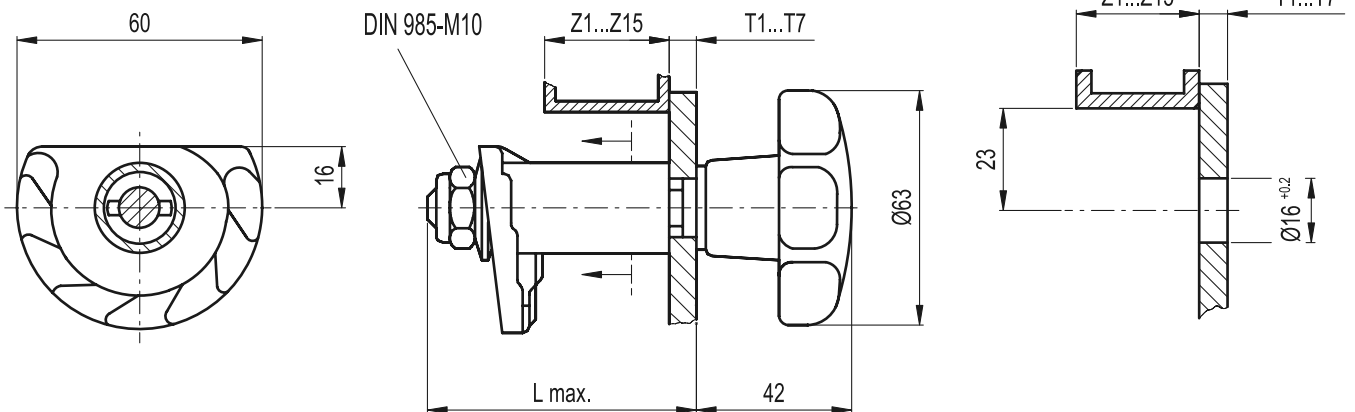
Very high clamping force values can be reached and thanks to their wide clamping range they are suitable for large tolerance applications including door seals.



13

852

Latches



Standard Elements	Main dimensions		Δ / ∇
Description	T1...T7	Z1...Z15	g
GN 117-SG-T1-Z1	1.5 ÷ 3	0 ÷ 9	179
GN 117-SG-T1-Z2	1.5 ÷ 3	3 ÷ 12	184
GN 117-SG-T1-Z3	1.5 ÷ 3	6 ÷ 15	186
GN 117-SG-T1-Z4	1.5 ÷ 3	9 ÷ 18	190
GN 117-SG-T1-Z5	1.5 ÷ 3	12 ÷ 21	196
GN 117-SG-T1-Z6	1.5 ÷ 3	15 ÷ 24	197
GN 117-SG-T1-Z7	1.5 ÷ 3	18 ÷ 27	200
GN 117-SG-T1-Z8	1.5 ÷ 3	21 ÷ 30	204
GN 117-SG-T1-Z9	1.5 ÷ 3	24 ÷ 33	206
GN 117-SG-T1-Z10	1.5 ÷ 3	27 ÷ 36	210
GN 117-SG-T1-Z11	1.5 ÷ 3	30 ÷ 39	214
GN 117-SG-T1-Z12	1.5 ÷ 3	33 ÷ 42	218
GN 117-SG-T1-Z13	1.5 ÷ 3	36 ÷ 45	220
GN 117-SG-T1-Z14	1.5 ÷ 3	39 ÷ 48	224
GN 117-SG-T1-Z15	1.5 ÷ 3	42 ÷ 51	226

Standard Elements	Main dimensions		Δ / ∇
Description	T1...T7	Z1...Z15	g
GN 117-SG-T2-Z1	3 ÷ 4.5	0 ÷ 9	169
GN 117-SG-T2-Z2	3 ÷ 4.5	3 ÷ 12	184
GN 117-SG-T2-Z3	3 ÷ 4.5	6 ÷ 15	189
GN 117-SG-T2-Z4	3 ÷ 4.5	9 ÷ 18	190
GN 117-SG-T2-Z5	3 ÷ 4.5	12 ÷ 21	196
GN 117-SG-T2-Z6	3 ÷ 4.5	15 ÷ 24	200
GN 117-SG-T2-Z7	3 ÷ 4.5	18 ÷ 27	200
GN 117-SG-T2-Z8	3 ÷ 4.5	21 ÷ 30	204
GN 117-SG-T2-Z9	3 ÷ 4.5	24 ÷ 33	208
GN 117-SG-T2-Z10	3 ÷ 4.5	27 ÷ 36	210
GN 117-SG-T2-Z11	3 ÷ 4.5	30 ÷ 39	214
GN 117-SG-T2-Z12	3 ÷ 4.5	33 ÷ 42	218
GN 117-SG-T2-Z13	3 ÷ 4.5	36 ÷ 45	220
GN 117-SG-T2-Z14	3 ÷ 4.5	39 ÷ 48	224
GN 117-SG-T2-Z15	3 ÷ 4.5	42 ÷ 51	228



elessa-GANTER

ELESA and GANTER models all rights reserved in accordance with the law. Always mention the source when reproducing our drawings.

Standard Elements	Main dimensions		g
	T1...T7	Z1...Z15	
GN 117-SG-T3-Z1	4.5 ÷ 6	0 ÷ 9	182
GN 117-SG-T3-Z2	4.5 ÷ 6	3 ÷ 12	187
GN 117-SG-T3-Z3	4.5 ÷ 6	6 ÷ 15	189
GN 117-SG-T3-Z4	4.5 ÷ 6	9 ÷ 18	192
GN 117-SG-T3-Z5	4.5 ÷ 6	12 ÷ 21	196
GN 117-SG-T3-Z6	4.5 ÷ 6	15 ÷ 24	200
GN 117-SG-T3-Z7	4.5 ÷ 6	18 ÷ 27	203
GN 117-SG-T3-Z8	4.5 ÷ 6	21 ÷ 30	204
GN 117-SG-T3-Z9	4.5 ÷ 6	24 ÷ 33	208
GN 117-SG-T3-Z10	4.5 ÷ 6	27 ÷ 36	213
GN 117-SG-T3-Z11	4.5 ÷ 6	30 ÷ 39	214
GN 117-SG-T3-Z12	4.5 ÷ 6	33 ÷ 42	218
GN 117-SG-T3-Z13	4.5 ÷ 6	36 ÷ 45	223
GN 117-SG-T3-Z14	4.5 ÷ 6	39 ÷ 48	224
GN 117-SG-T3-Z15	4.5 ÷ 6	42 ÷ 51	228
GN 117-SG-T4-Z1	6 ÷ 7.5	0 ÷ 9	172
GN 117-SG-T4-Z2	6 ÷ 7.5	3 ÷ 12	187
GN 117-SG-T4-Z3	6 ÷ 7.5	6 ÷ 15	189
GN 117-SG-T4-Z4	6 ÷ 7.5	9 ÷ 18	192
GN 117-SG-T4-Z5	6 ÷ 7.5	12 ÷ 21	199
GN 117-SG-T4-Z6	6 ÷ 7.5	15 ÷ 24	200
GN 117-SG-T4-Z7	6 ÷ 7.5	18 ÷ 27	203
GN 117-SG-T4-Z8	6 ÷ 7.5	21 ÷ 30	206
GN 117-SG-T4-Z9	6 ÷ 7.5	24 ÷ 33	208
GN 117-SG-T4-Z10	6 ÷ 7.5	27 ÷ 36	213
GN 117-SG-T4-Z11	6 ÷ 7.5	30 ÷ 39	217
GN 117-SG-T4-Z12	6 ÷ 7.5	33 ÷ 42	218
GN 117-SG-T4-Z13	6 ÷ 7.5	36 ÷ 45	223
GN 117-SG-T4-Z14	6 ÷ 7.5	39 ÷ 48	226
GN 117-SG-T4-Z15	6 ÷ 7.5	42 ÷ 51	228
GN 117-SG-T5-Z1	7.5 ÷ 9	0 ÷ 9	175
GN 117-SG-T5-Z2	7.5 ÷ 9	3 ÷ 12	187
GN 117-SG-T5-Z3	7.5 ÷ 9	6 ÷ 15	191
GN 117-SG-T5-Z4	7.5 ÷ 9	9 ÷ 18	192
GN 117-SG-T5-Z5	7.5 ÷ 9	12 ÷ 21	199
GN 117-SG-T5-Z6	7.5 ÷ 9	15 ÷ 24	203
GN 117-SG-T5-Z7	7.5 ÷ 9	18 ÷ 27	203
GN 117-SG-T5-Z8	7.5 ÷ 9	21 ÷ 30	206
GN 117-SG-T5-Z9	7.5 ÷ 9	24 ÷ 33	211
GN 117-SG-T5-Z10	7.5 ÷ 9	27 ÷ 36	213
GN 117-SG-T5-Z11	7.5 ÷ 9	30 ÷ 39	217
GN 117-SG-T5-Z12	7.5 ÷ 9	33 ÷ 42	221
GN 117-SG-T5-Z13	7.5 ÷ 9	36 ÷ 45	223
GN 117-SG-T5-Z14	7.5 ÷ 9	39 ÷ 48	226
GN 117-SG-T5-Z15	7.5 ÷ 9	42 ÷ 51	231

Standard Elements	Main dimensions		g
	T1...T7	Z1...Z15	
GN 117-SG-T6-Z1	9 ÷ 10.5	0 ÷ 9	185
GN 117-SG-T6-Z2	9 ÷ 10.5	3 ÷ 12	187
GN 117-SG-T6-Z3	9 ÷ 10.5	6 ÷ 15	191
GN 117-SG-T6-Z4	9 ÷ 10.5	9 ÷ 18	199
GN 117-SG-T6-Z5	9 ÷ 10.5	12 ÷ 21	200
GN 117-SG-T6-Z6	9 ÷ 10.5	15 ÷ 24	203
GN 117-SG-T6-Z7	9 ÷ 10.5	18 ÷ 27	206
GN 117-SG-T6-Z8	9 ÷ 10.5	21 ÷ 30	208
GN 117-SG-T6-Z9	9 ÷ 10.5	24 ÷ 33	213
GN 117-SG-T6-Z10	9 ÷ 10.5	27 ÷ 36	216
GN 117-SG-T6-Z11	9 ÷ 10.5	30 ÷ 39	217
GN 117-SG-T6-Z12	9 ÷ 10.5	33 ÷ 42	222
GN 117-SG-T6-Z13	9 ÷ 10.5	36 ÷ 45	225
GN 117-SG-T6-Z14	9 ÷ 10.5	39 ÷ 48	226
GN 117-SG-T6-Z15	9 ÷ 10.5	42 ÷ 51	229
GN 117-SG-T7-Z1	10.5 ÷ 12	0 ÷ 9	185
GN 117-SG-T7-Z2	10.5 ÷ 12	3 ÷ 12	189
GN 117-SG-T7-Z3	10.5 ÷ 12	6 ÷ 15	194
GN 117-SG-T7-Z4	10.5 ÷ 12	9 ÷ 18	195
GN 117-SG-T7-Z5	10.5 ÷ 12	12 ÷ 21	202
GN 117-SG-T7-Z6	10.5 ÷ 12	15 ÷ 24	203
GN 117-SG-T7-Z7	10.5 ÷ 12	18 ÷ 27	205
GN 117-SG-T7-Z8	10.5 ÷ 12	21 ÷ 30	210
GN 117-SG-T7-Z9	10.5 ÷ 12	24 ÷ 33	213
GN 117-SG-T7-Z10	10.5 ÷ 12	27 ÷ 36	216
GN 117-SG-T7-Z11	10.5 ÷ 12	30 ÷ 39	220
GN 117-SG-T7-Z12	10.5 ÷ 12	33 ÷ 42	221
GN 117-SG-T7-Z13	10.5 ÷ 12	36 ÷ 45	224
GN 117-SG-T7-Z14	10.5 ÷ 12	39 ÷ 48	229
GN 117-SG-T7-Z15	10.5 ÷ 12	42 ÷ 51	231

T + Z	L max.
≤ 13.5	31
≤ 18	35.5
≤ 22.5	40
≤ 27	44.5
≤ 31.5	49
≤ 36	53.5
≤ 40.5	58
≤ 45	62.5
≤ 49.5	67
≤ 54	71.5
≤ 58.5	76
≤ 63	80.5