

GN 161

Hinges

- **Material**
Zinc alloy die-cast, black matte textured, epoxy resin coating.
- **Rotation pin**
AISI 303 stainless steel.

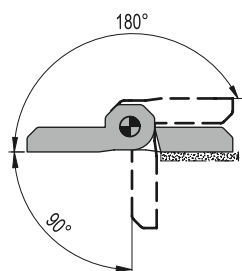
Features and applications

Hinges GN 161 have been designed for commercially available aluminium profiles. With three different types of hinges only, 66 different slot widths 'n' can be accommodated. To achieve this the positioning components are set in specially marked recesses in the hinge wings.

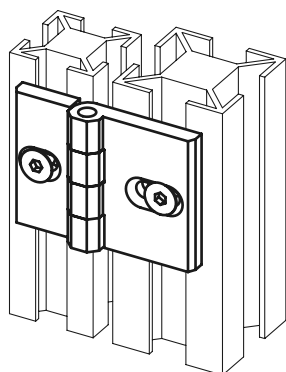
The rectangular (8x10 mm) positioning components, two pieces hinge wing, will prevent a misalignment. They will also carry the weight of the door.

Rotation angle

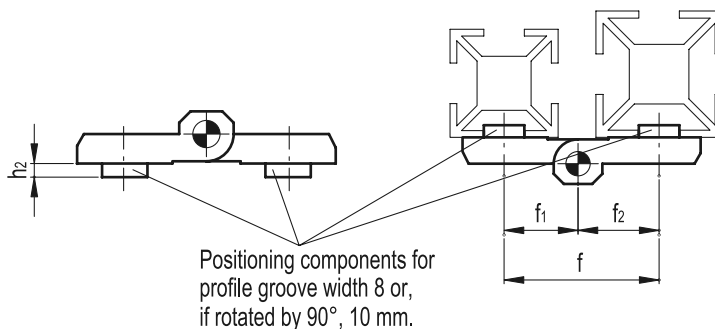
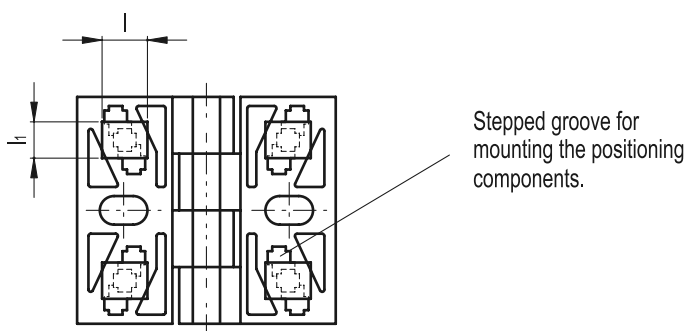
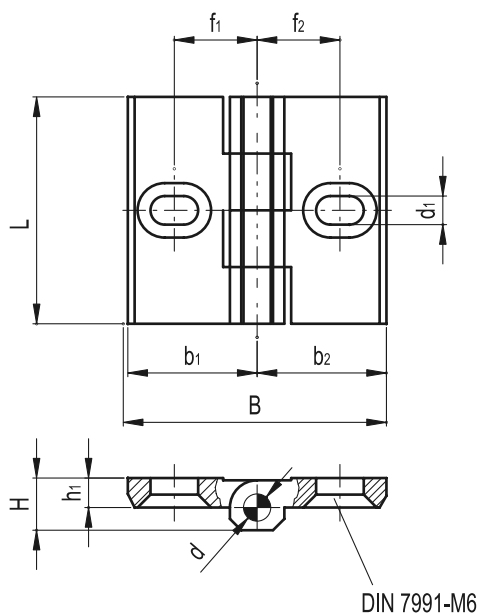
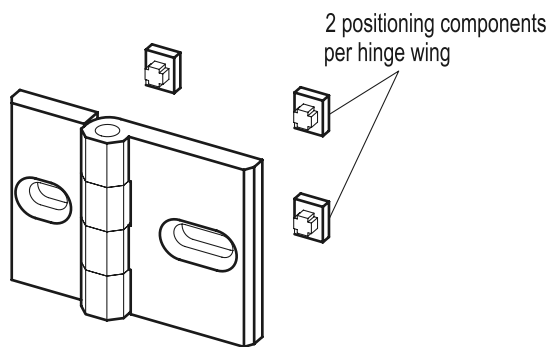
Max 270°.



Application example



Assembly instructions



Standard Elements	Main dimensions													Fitting	⚖
	Description	B	L	f	f ₁	f ₂	H	h ₁	h ₂	l	l ₁	b ₁	b ₂		
GN 161-57	57	50	33	16.5	16.5	12	6.5	3	10	8	28.5	28.5	6	6.3	107
GN 161-57	57	50	34	16.5	17.5	12	6.5	3	10	8	28.5	28.5	6	6.3	107
GN 161-57	57	50	35	16.5	18.5	12	6.5	3	10	8	28.5	28.5	6	6.3	107
GN 161-57	57	50	35.5	16.5	19	12	6.5	3	10	8	28.5	28.5	6	6.3	107
GN 161-57	57	50	36.5	16.5	20	12	6.5	3	10	8	28.5	28.5	6	6.3	107
GN 161-57	57	50	35	17.5	17.5	12	6.5	3	10	8	28.5	28.5	6	6.3	107
GN 161-57	57	50	36	17.5	18.5	12	6.5	3	10	8	28.5	28.5	6	6.3	107
GN 161-57	57	50	36.5	17.5	19	12	6.5	3	10	8	28.5	28.5	6	6.3	107
GN 161-57	57	50	37.5	17.5	20	12	6.5	3	10	8	28.5	28.5	6	6.3	107
GN 161-57	57	50	37	18.5	18.5	12	6.5	3	10	8	28.5	28.5	6	6.3	107
GN 161-57	57	50	37.5	18.5	19	12	6.5	3	10	8	28.5	28.5	6	6.3	107
GN 161-57	57	50	38.5	18.5	20	12	6.5	3	10	8	28.5	28.5	6	6.3	107
GN 161-57	57	50	38	19	19	12	6.5	3	10	8	28.5	28.5	6	6.3	107
GN 161-57	57	50	39	19	20	12	6.5	3	10	8	28.5	28.5	6	6.3	107
GN 161-57	57	50	40	20	20	12	6.5	3	10	8	28.5	28.5	6	6.3	107
GN 161-68	68	50	37.5	16.5	21	12	6.5	3	10	8	28.5	40	6	6.3	128
GN 161-68	68	50	38	16.5	21.5	12	6.5	3	10	8	28.5	40	6	6.3	128
GN 161-68	68	50	40	16.5	23.5	12	6.5	3	10	8	28.5	40	6	6.3	128
GN 161-68	68	50	42.5	16.5	26	12	6.5	3	10	8	28.5	40	6	6.3	128
GN 161-68	68	50	44	16.5	27.5	12	6.5	3	10	8	28.5	40	6	6.3	128
GN 161-68	68	50	47.5	16.5	31	12	6.5	3	10	8	28.5	40	6	6.3	128
GN 161-68	68	50	38.5	17.5	21	12	6.5	3	10	8	28.5	40	6	6.3	128
GN 161-68	68	50	39	17.5	21.5	12	6.5	3	10	8	28.5	40	6	6.3	128
GN 161-68	68	50	41	17.5	23.5	12	6.5	3	10	8	28.5	40	6	6.3	128
GN 161-68	68	50	43.5	17.5	26	12	6.5	3	10	8	28.5	40	6	6.3	128
GN 161-68	68	50	45	17.5	27.5	12	6.5	3	10	8	28.5	40	6	6.3	128
GN 161-68	68	50	48.5	17.5	31	12	6.5	3	10	8	28.5	40	6	6.3	128
GN 161-68	68	50	39.5	18.5	21	12	6.5	3	10	8	28.5	40	6	6.3	128
GN 161-68	68	50	40	18.5	21.5	12	6.5	3	10	8	28.5	40	6	6.3	128
GN 161-68	68	50	42	18.5	23.5	12	6.5	3	10	8	28.5	40	6	6.3	128
GN 161-68	68	50	44.5	18.5	26	12	6.5	3	10	8	28.5	40	6	6.3	128
GN 161-68	68	50	46	18.5	27.5	12	6.5	3	10	8	28.5	40	6	6.3	128
GN 161-68	68	50	49.5	18.5	31	12	6.5	3	10	8	28.5	40	6	6.3	128
GN 161-68	68	50	40	19	21	12	6.5	3	10	8	28.5	40	6	6.3	128
GN 161-68	68	50	40.5	19	21.5	12	6.5	3	10	8	28.5	40	6	6.3	128
GN 161-68	68	50	42.5	19	23.5	12	6.5	3	10	8	28.5	40	6	6.3	128
GN 161-68	68	50	45	19	26	12	6.5	3	10	8	28.5	40	6	6.3	128
GN 161-68	68	50	46.5	19	27.5	12	6.5	3	10	8	28.5	40	6	6.3	128
GN 161-68	68	50	50	19	31	12	6.5	3	10	8	28.5	40	6	6.3	128
GN 161-68	68	50	41	20	21	12	6.5	3	10	8	28.5	40	6	6.3	128
GN 161-68	68	50	41.5	20	21.5	12	6.5	3	10	8	28.5	40	6	6.3	128
GN 161-68	68	50	43.5	20	23.5	12	6.5	3	10	8	28.5	40	6	6.3	128
GN 161-68	68	50	46	20	26	12	6.5	3	10	8	28.5	40	6	6.3	128
GN 161-68	68	50	47.5	20	27.5	12	6.5	3	10	8	28.5	40	6	6.3	128
GN 161-68	68	50	51	20	31	12	6.5	3	10	8	28.5	40	6	6.3	128
GN 161-80	80	50	42	21	21	12	6.5	3	10	8	40	40	6	6.3	144
GN 161-80	80	50	42.5	21	21.5	12	6.5	3	10	8	40	40	6	6.3	144
GN 161-80	80	50	44.5	21	23.5	12	6.5	3	10	8	40	40	6	6.3	144
GN 161-80	80	50	47	21	26	12	6.5	3	10	8	40	40	6	6.3	144
GN 161-80	80	50	48.5	21	27.5	12	6.5	3	10	8	40	40	6	6.3	144
GN 161-80	80	50	52	21	31	12	6.5	3	10	8	40	40	6	6.3	144
GN 161-80	80	50	43	21.5	21.5	12	6.5	3	10	8	40	40	6	6.3	144
GN 161-80	80	50	45	21.5	23.5	12	6.5	3	10	8	40	40	6	6.3	144
GN 161-80	80	50	47.5	21.5	26	12	6.5	3	10	8	40	40	6	6.3	144
GN 161-80	80	50	49	21.5	27.5	12	6.5	3	10	8	40	40	6	6.3	144
GN 161-80	80	50	52.5	21.5	31	12	6.5	3	10	8	40	40	6	6.3	144
GN 161-80	80	50	47	23.5	23.5	12	6.5	3	10	8	40	40	6	6.3	144
GN 161-80	80	50	49.5	23.5	26	12	6.5	3	10	8	40	40	6	6.3	144
GN 161-80	80	50	51	23.5	27.5	12	6.5	3	10	8	40	40	6	6.3	144
GN 161-80	80	50	54.5	23.5	31	12	6.5	3	10	8	40	40	6	6.3	144
GN 161-80	80	50	52	26	26	12	6.5	3	10	8	40	40	6	6.3	144
GN 161-80	80	50	53.5	26	27.5	12	6.5	3	10	8	40	40	6	6.3	144
GN 161-80	80	50	57	26	31	12	6.5	3	10	8	40	40	6	6.3	144
GN 161-80	80	50	55	27.5	27.5	12	6.5	3	10	8	40	40	6	6.3	144
GN 161-80	80	50	58.5	27.5	31	12	6.5	3	10	8	40	40	6	6.3	144
GN 161-80	80	50	62	31	31	12	6.5	3	10	8	40	40	6	6.3	144