

GN 129

Hinges

- **Material**

Zinc-plated steel.

- Execution **Z**: with two parts.

- Execution **D**: with three parts.

- **Rotation pin and washers**

Nickel-plated brass.

- **Hexagon nuts**

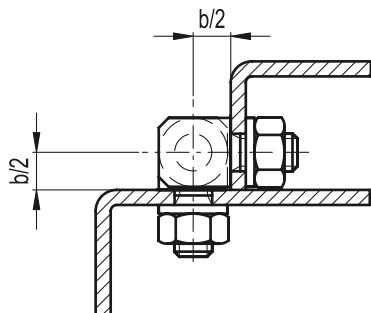
Zinc-plated steel, blue passivated.

Features

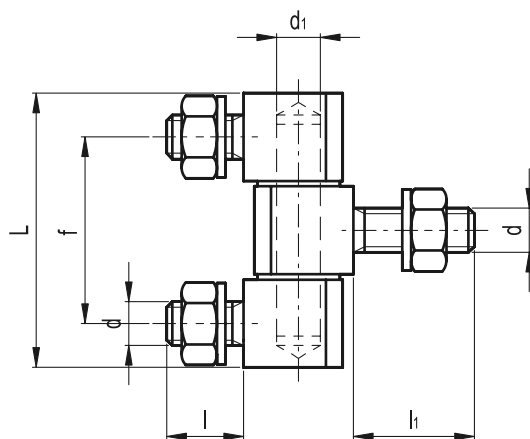
GN 129 hinges are suitable for hatch-type doors. The two-part hinge allows the door to be unhinged.



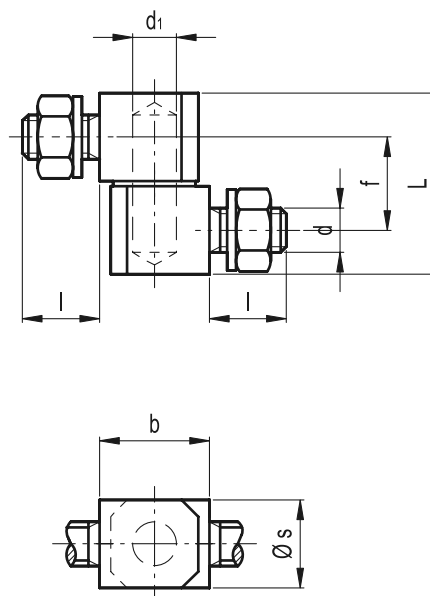
Application example



GN 129-D



GN 129-Z



Standard Elements	Main dimensions								Δ/Δ
Description	s	L	b	d	d ₁	l	h ₁	f	g
GN 129-12-D	12	39.2	15	M6	6	10	14	27.2	18
GN 129-16-D	16	49	20	M8	8	14	22	33	54
GN 129-12-Z	12	25.6	15	M6	6	10	-	13.6	20
GN 129-16-Z	16	32.5	20	M8	8	14	-	16.5	48



Elesa+GANTER

ELESA and GANTER models all rights reserved in accordance with the law. Always mention the source when reproducing our drawings.