

GN 127

Hinges

- **Material**
Zinc alloy die-cast, black matte textured, epoxy resin coating.
- **Rotation pin**
AISI 303 stainless steel.
- **Assembly**
By means of two pairs of M6 countersunk-head screws.

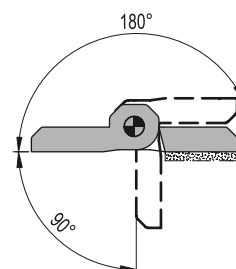
Features and applications

GN 127 hinges offer several advantages. Its mounting position is adjustable vertically (execution H), horizontally (execution B) or both horizontally and vertically (execution HB).

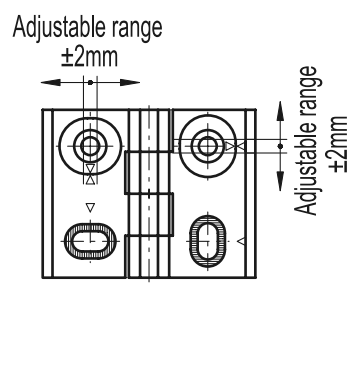
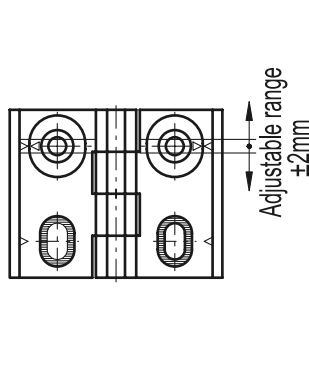
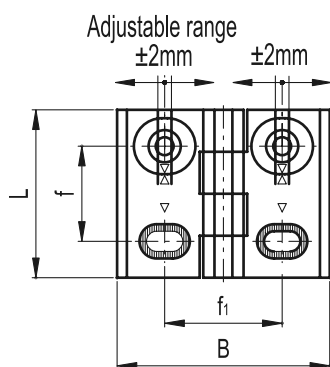
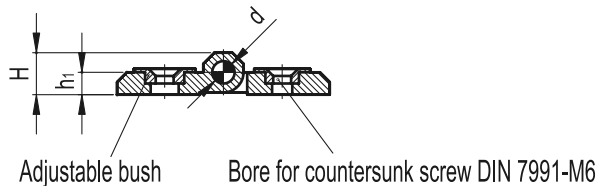
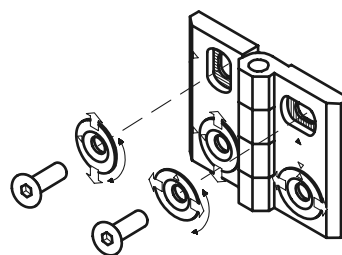
There are no oblong holes reducing the contact area of the screw head. In addition, serrations on the back of the holes prevent the hinge from moving. The arrow points indicate the zero reference mark for ease of installation. The easy-to-adjust holes allows a technically and optically perfect alignment of the door to its frame.

Rotation angle

Max 270°.



Assembly instructions



Standard Elements	Main dimensions							Δ
Description	B	L	f	f ₁	H	h ₁	d	g
GN 127-76-60-B	76	60	34	42	15	8	8	206
GN 127-76-60-H	76	60	34	42	15	8	8	207
GN 127-76-60-HB	76	60	34	42	15	8	8	209