

Tamperproof hinges



Material

Glass-fibre reinforced polyamide based (PA) technopolymer. Resistant to solvents, oils, greases and other chemical agents.

Colour

Black, matte finish.

Rotation pin

AISI 303 stainless steel, totally moulded in the hinge body.

Assembly

- Execution **B**: nickel-plated brass bushings, tapped hole.
- Execution **p**: nickel-plated steel threaded studs.
- Execution **EH**: through holes for hexagonal head screws.
- Combined executions: **B/SH** (SH = through holes for countersunk head screws).



12

820

Hinges

Features and applications

The rotation pin totally moulded in the hinge body (ELESA patent) cannot be extracted, preventing any hinge tampering. This characteristic makes the hinge particularly suitable for mounting on structures or equipments requiring protection against intrusion.

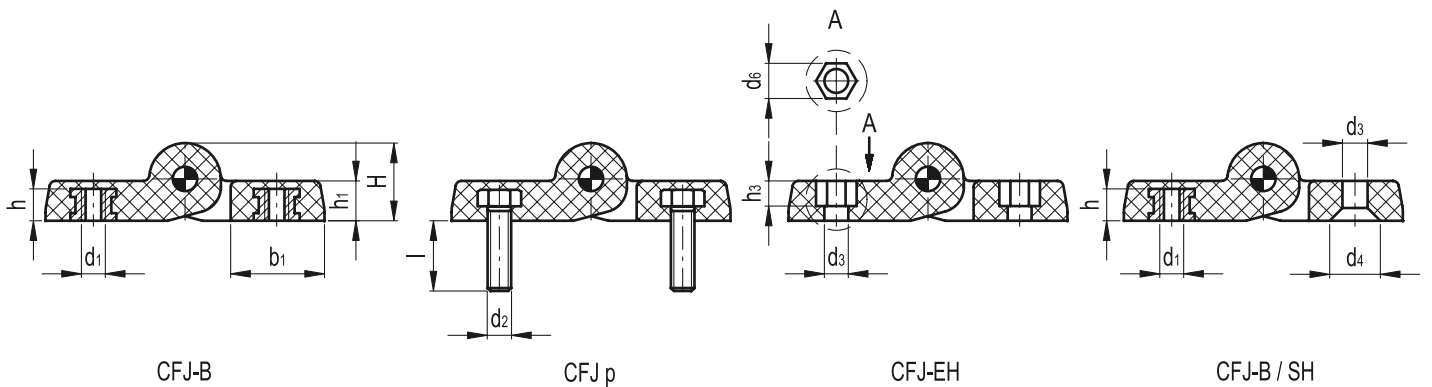
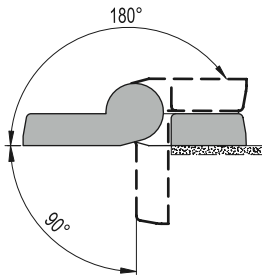
Rotation angle

Max 270°, between 0° and -90° and between 0° and 180°

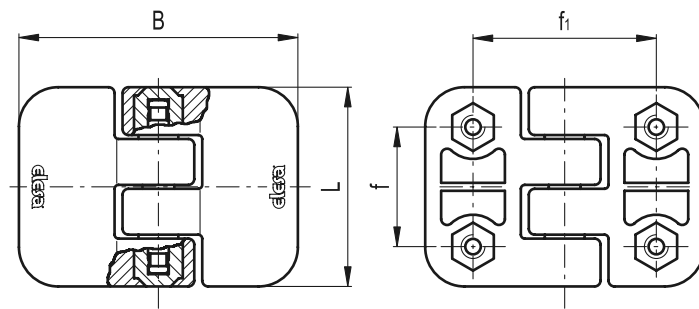
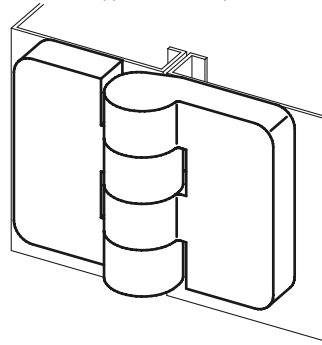
(0° = condition where the interconnected surfaces are on the same plane).

Do not exceed the rotation angle limit (see drawing) so as not to prejudice the hinge mechanical performance.

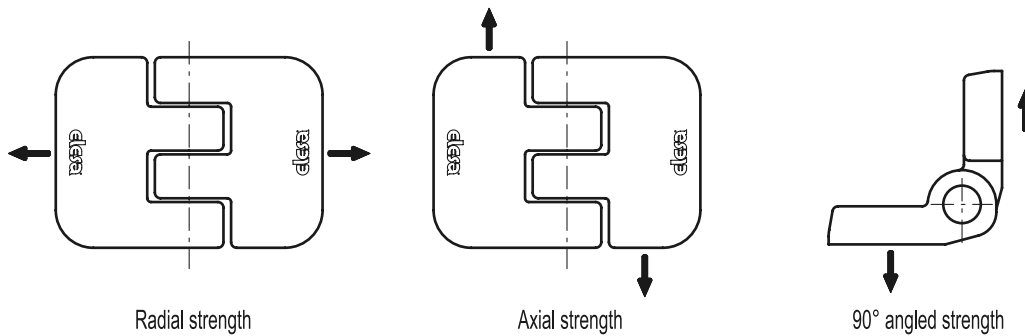
To choose the convenient type and the right number of hinges for your application see the Guidelines (see page 792).



Application example



Standard Elements		Main dimensions							Fitting							⚖	
									Bushings		Studs		Through holes				
Code	Description	B	L	f ±0.25	f1 ±0.25	H	h1	b1	d1	h	d2	l	d3	d4	d6	h3	g
424611	CFJ.50 B-M6	70	50	30	46	19.5	10	23.5	M6	8	-	-	-	-	-	-	66
424621	CFJ.50 p-M6x17	70	50	30	46	19.5	10	23.5	-	-	M6	17	-	-	-	-	71
424631	CFJ.50 EH-6	70	50	30	46	19.5	10	23.5	-	-	-	-	6.5	-	10	5.5	46
424671	CFJ.50-R B-M6-SH-6	70	50	30	46	19.5	10	23.5	M6	8	-	-	6.5	12.5	-	-	54



Standard Elements		RADIAL STRENGTH		AXIAL STRENGTH		90° ANGLED STRENGTH		Maximum tightening torque [Nm]		
Code	Description	Maximum working load Er [N]	Load at breakage Rr [N]	Maximum working load Ea [N]	Load at breakage Ra [N]	Maximum working load E90 [N]	Load at breakage R90 [N]	EH/SH	B	p
424611	CFJ.50 B-M6	2220	4450	730	4170	710	2250	-	>5	-
424621	CFJ.50 p-M6x17	2180	4350	1420	4410	510	2220	-	-	4
424631	CFJ.50 EH-6	1490	2970	1740	3470	460	2120	5	-	-
424671	CFJ.50-R B-M6-SH-6	1310	2490	1480	2780	390	1900	3	>5	-