

Hinges for aluminium profiles



- **Material**

Glass-fibre reinforced polyamide based (PA) technopolymer. Resistant to solvents, oils, greases and other chemical agents.

- **Colour**

Black, matte finish.

- **Rotation pin**

Nickel-plated steel.

- **Assembly**

Through holes for M6 countersunk head screws.

- **Centering inserts**

Technopolymer, black colour, for doweling with slots on profiles of width 8 or 10 mm.



12

822

Hinges

Features and applications

This type of hinge can be used with aluminium profiles from 30 up to 60 mm, also combining different dimensions (for example jamb of 45 mm and door of 30 mm).

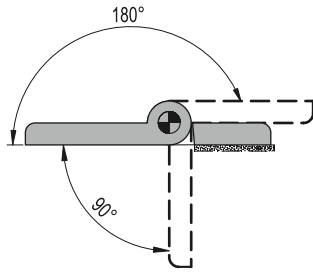
Rotation angle

Max 270°, between 0° and -90° and between 0° and 180°

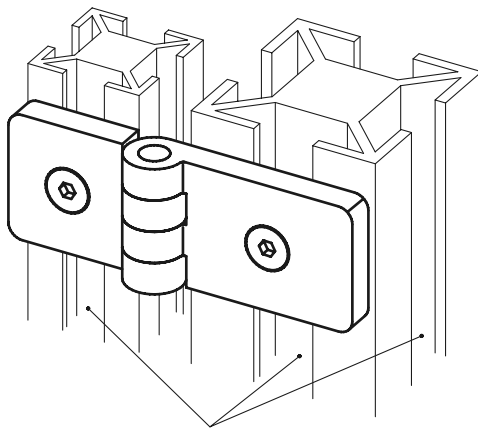
(0° = condition where the two interconnected surfaces are on the same plane).

Do not exceed the rotation angle limit (see drawing) so as not to prejudice the hinge mechanical performance.

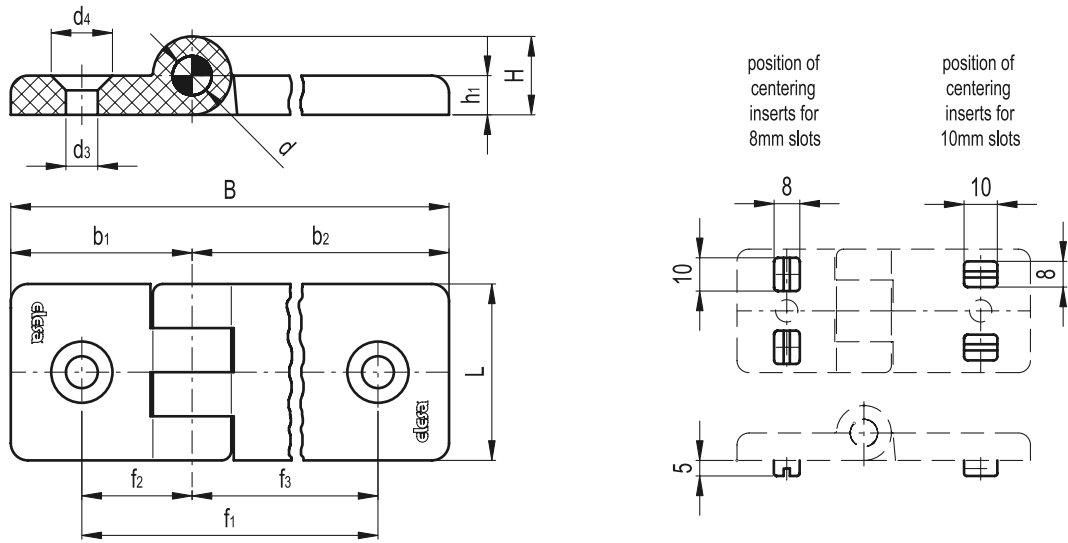
To choose the convenient type and the right number of hinges for your application, see the Guidelines (see page 792).



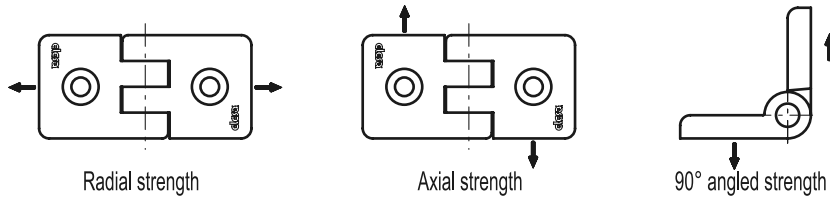
Application example



slots for centering inserts (width 8 or 10mm)



Standard Elements		Main dimensions										Fitting		⚖
Code	Description	B	L	f1 ±0.25	f2	f3	H	h1	b1	b2	d	d3	d4	g
423911	CFG.30/30 SH-6	54	36	35	17.5	17.5	16	8	27	27	8	6.5	12.5	32
423912	CFG.30/40 SH-6	64	36	40	17.5	22.5	16	8	27	37	8	6.5	12.5	34
423913	CFG.30/45 SH-6	69	36	42.5	17.5	25	16	8	27	42	8	6.5	12.5	35
423914	CFG.30/60 SH-6	84	36	50	17.5	32.5	16	8	27	57	8	6.5	12.5	38
423921	CFG.40/40 SH-6	74	36	45	22.5	22.5	16	8	37	37	8	6.5	12.5	36
423922	CFG.40/45 SH-6	79	36	47.5	22.5	25	16	8	37	42	8	6.5	12.5	37
423923	CFG.40/60 SH-6	94	36	55	22.5	32.5	16	8	37	57	8	6.5	12.5	40
423931	CFG.45/45 SH-6	84	36	50	25	25	16	8	42	42	8	6.5	12.5	38
423932	CFG.45/60 SH-6	99	36	57.5	25	32.5	16	8	42	57	8	6.5	12.5	41
423941	CFG.60/60 SH-6	114	36	65	32.5	32.5	16	8	57	57	8	6.5	12.5	45



Standard Elements		RADIAL STRENGTH		AXIAL STRENGTH		90° ANGLED STRENGTH		Maximum tightening torque [Nm]
Code	Description	Maximum working load Er [N]	Load at breakage Rr [N]	Maximum working load Ea [N]	Load at breakage Ra [N]	Maximum working load E90 [N]	Load at breakage R90 [N]	
423911	CFG.30/30 SH-6	1850	3710	440	2570	300	1700	>5
423912	CFG.30/40 SH-6	1750	3490	320	2280	590	870	>5
423913	CFG.30/45 SH-6	1760	3520	240	2150	190	780	>5
423914	CFG.30/60 SH-6	1600	3190	280	1510	180	850	>5
423921	CFG.40/40 SH-6	1750	3490	320	2280	220	870	>5
423922	CFG.40/45 SH-6	1750	3490	240	2150	390	780	>5
423923	CFG.40/60 SH-6	1600	3190	280	1510	180	850	>5
423931	CFG.45/45 SH-6	1760	3520	240	2150	190	780	>5
423932	CFG.45/60 SH-6	1600	3190	240	1510	180	780	>5
423941	CFG.60/60 SH-6	1600	3190	280	1510	180	850	>5