



- **Material**
High resilience polyamide based (PA) technopolymer. Resistant to solvents, oils, greases and other chemical agents.
- **Colour**
Black, matte finish.
- **Rotation pin**
AISI 303 stainless steel.
- **Assembly**
 - Execution **B**: nickel-plated brass bushings, tapped hole.
 - Execution **p**: nickel-plated brass threaded studs.
 - Execution **CH**: through holes for cylindrical head screws.
 - Combined executions: **B/p - B/CH - p/CH**

Applications

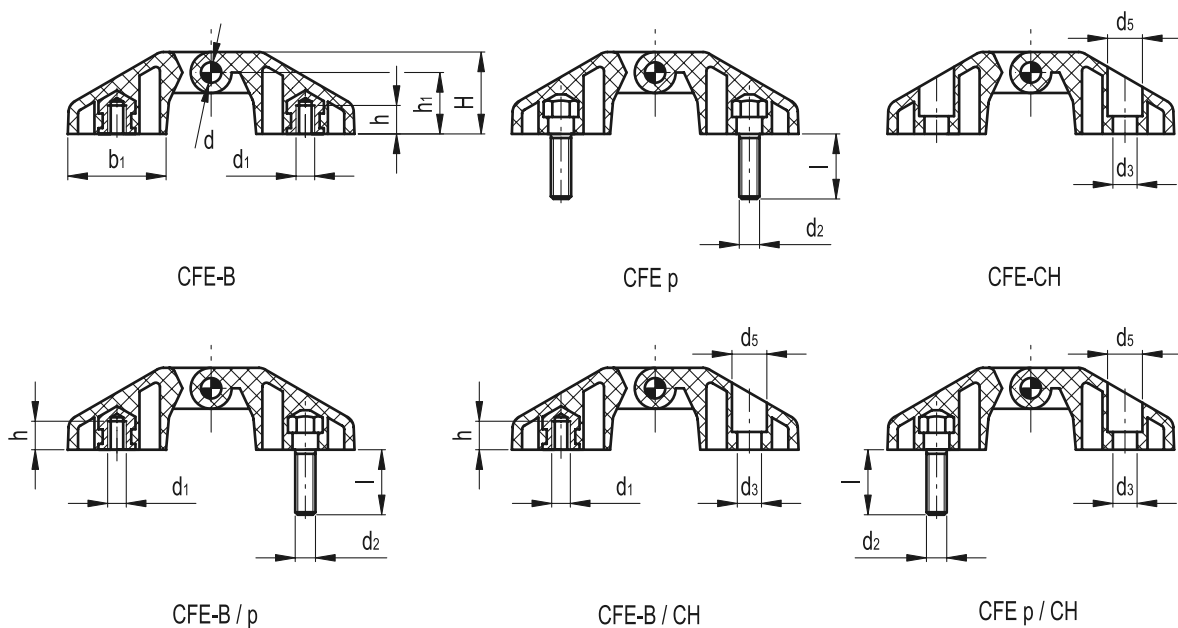
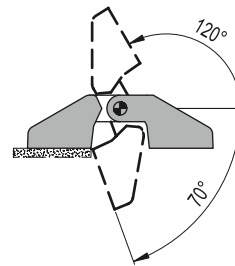
This hinge has been developed in particular for doors provided with gaskets.

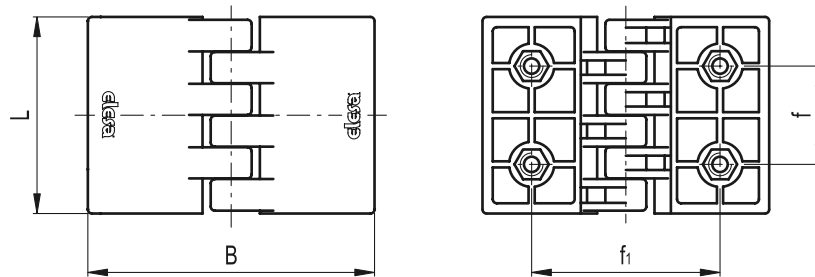
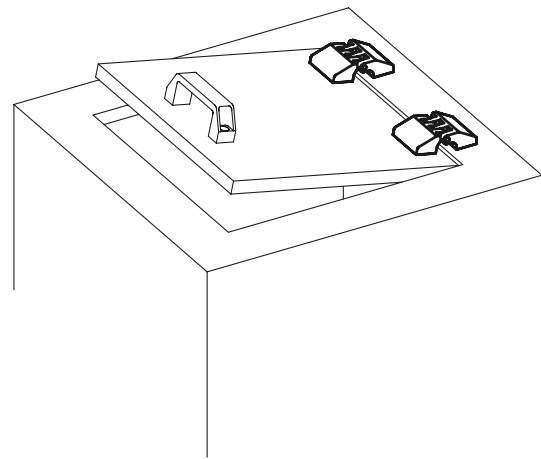
Rotation angle

Max 190°, between 0° and -70° and between 0° and 120° (0° = condition where the two interconnected surfaces are on the same plane).

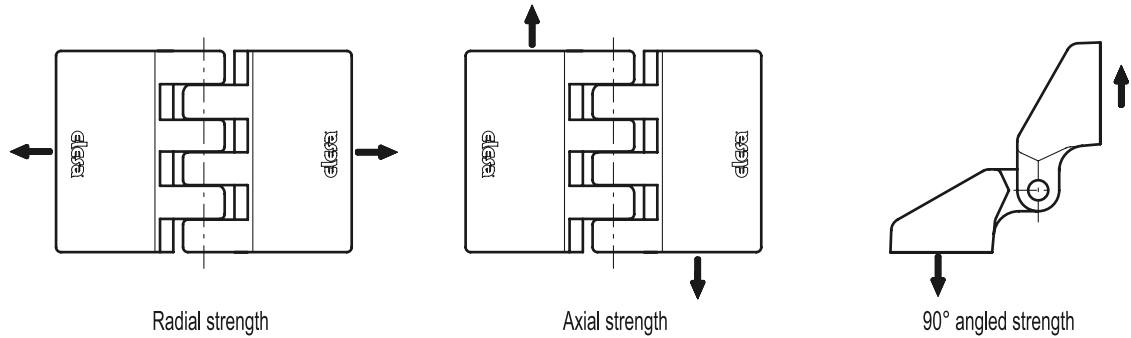
Do not exceed the rotation angle limit (see drawing) so as not to prejudice the hinge mechanical performance.

To choose the convenient type and the right number of hinges for your application, see the Guidelines (see page 792).





Standard Elements		Main dimensions								Fitting						⚖
										Bushings		Studs		Through holes		
Code	Description	B	L	f ±0.25	f1 ±0.25	H	h1	b1	d	d1	h	d2	l	d3	d5	g
423111	CFE.30 B-M3	45.5	30.5	15	30	12.5	9.5	15	2.5	M3	4	-	-	-	-	11
423121	CFE.30 p-M3x13	45.5	30.5	15	30	12.5	9.5	15	2.5	-	-	M3	13	-	-	14
423131	CFE.30 CH-3	45.5	30.5	15	30	12.5	9.5	15	2.5	-	-	-	-	3.5	6	8
423141	CFE.30 B-M3-p-M3x13	45.5	30.5	15	30	12.5	9.5	15	2.5	M3	4	M3	13	-	-	13
423151	CFE.30 B-M3-CH-3	45.5	30.5	15	30	12.5	9.5	15	2.5	M3	4	-	-	3.5	6	10
423161	CFE.30 p-M3x13-CH-3	45.5	30.5	15	30	12.5	9.5	15	2.5	-	-	M3	13	3.5	6	11
423211	CFE.40 B-M4	59	40.5	20	40.4	16.5	12.5	20	4	M4	5.5	-	-	-	-	26
423221	CFE.40 p-M4x18	59	40.5	20	40.4	16.5	12.5	20	4	-	-	M4	18	-	-	34
423231	CFE.40 CH-4	59	40.5	20	40.4	16.5	12.5	20	4	-	-	-	-	4.5	7.5	19
423241	CFE.40 B-M4-p-M4x18	59	40.5	20	40.4	16.5	12.5	20	4	M4	5.5	M4	18	-	-	30
423251	CFE.40 B-M4-CH-4	59	40.5	20	40.4	16.5	12.5	20	4	M4	5.5	-	-	4.5	7.5	21
423261	CFE.40 p-M4x18-CH-4	59	40.5	20	40.4	16.5	12.5	20	4	-	-	M4	18	4.5	7.5	26
423311	CFE.48 B-M5	70	48.5	24	46	20	15	24	5	M5	6.5	-	-	-	-	44
423321	CFE.48 p-M5x17	70	48.5	24	46	20	15	24	5	-	-	M5	17	-	-	58
423331	CFE.48 CH-5	70	48.5	24	46	20	15	24	5	-	-	-	-	5.5	9	31
423341	CFE.48 B-M5-p-M5x17	70	48.5	24	46	20	15	24	5	M5	6.5	M5	17	-	-	51
423351	CFE.48 B-M5-CH-5	70	48.5	24	46	20	15	24	5	M5	6.5	-	-	5.5	9	38
423361	CFE.48 p-M5x17-CH-5	70	48.5	24	46	20	15	24	5	-	-	M5	17	5.5	9	45
423411	CFE.66 B-M6	97	66	33	63.7	27.5	21	33	6	M6	10	-	-	-	-	103
423421	CFE.66 p-M6x16	97	66	33	63.7	27.5	21	33	6	-	-	M6	16	-	-	124
423431	CFE.66 CH-6	97	66	33	63.7	27.5	21	33	6	-	-	-	-	6.5	10.5	77
423441	CFE.66 B-M6-p-M6x16	97	66	33	63.7	27.5	21	33	6	M6	10	M6	16	-	-	115
423451	CFE.66 B-M6-CH-6	97	66	33	63.7	27.5	21	33	6	M6	10	-	-	6.5	10.5	90
423461	CFE.66 p-M6x16-CH-6	97	66	33	63.7	27.5	21	33	6	-	-	M6	16	6.5	10.5	100



Standard Elements		RADIAL STRENGTH		AXIAL STRENGTH		90° ANGLED STRENGTH		Maximum tightening torque [Nm]		
Code	Description	Maximum working load Er [N]	Load at breakage Rr [N]	Maximum working load Ea [N]	Load at breakage Ra [N]	Maximum working load E90 [N]	Load at breakage R90 [N]	CH	B	p
423111	CFE.30 B-M3	140	1040	50	660	50	310	-	1	-
423121	CFE.30 p-M3x13	110	1040	40	460	60	560	-	-	1
423131	CFE.30 CH-3	120	980	50	640	20	300	0.5	-	-
423141	CFE.30 B-M3-p-M3x13	110	1040	40	460	50	310	-	1	1
423151	CFE.30 B-M3-CH-3	120	980	50	640	20	300	0.5	1	-
423161	CFE.30 p-M3x13-CH-3	110	980	40	460	20	300	0.5	-	1
423211	CFE.40 B-M4	230	1920	90	1110	60	590	-	4	-
423221	CFE.40 p-M4x18	300	2440	90	1110	60	590	-	-	2
423231	CFE.40 CH-4	370	2460	150	1580	80	1210	1	-	-
423241	CFE.40 B-M4-p-M4x18	230	1920	90	1110	60	590	-	4	2
423251	CFE.40 B-M4-CH-4	230	1920	90	1110	60	590	1	4	-
423261	CFE.40 p-M4x18-CH-4	300	2440	90	1110	60	590	1	-	2
423311	CFE.48 B-M5	440	2890	160	1260	190	1290	-	>5	-
423321	CFE.48 p-M5x17	310	2870	190	1900	160	1190	-	-	5
423331	CFE.48 CH-5	410	2850	300	2160	150	1440	2	-	-
423341	CFE.48 B-M5-p-M5x17	310	2870	160	1260	160	1190	-	>5	5
423351	CFE.48 B-M5-CH-5	410	2850	160	1260	150	1290	2	>5	-
423361	CFE.48 p-M5x17-CH-5	310	2850	190	1900	150	1190	2	-	5
423411	CFE.66 B-M6	500	2480	530	4160	310	2250	-	>5	-
423421	CFE.66 p-M6x16	700	3490	240	2670	270	1830	-	-	>5
423431	CFE.66 CH-6	690	3450	440	3160	260	2920	5	-	-
423441	CFE.66 B-M6-p-M6x16	500	2480	240	2670	270	1830	-	>5	>5
423451	CFE.66 B-M6-CH-6	500	2480	440	3160	260	2250	5	>5	-
423461	CFE.66 p-M6x16-CH-6	690	3450	240	2670	260	1830	5	-	>5