

Hinge



- Material**
 High resilience polyamide based (PA) technopolymer. Resistant to solvents, oils, greases and other chemical agents.
- Colour**
 Black, matte finish.
- Rotation pin**
 AISI 303 stainless steel.
- Assembly**
 Through holes for M6 countersunk head screws and referring pins for an accurate positioning of the hinge body.



12

828

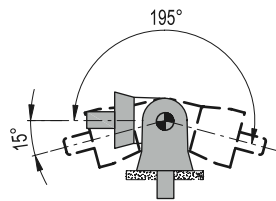
Hinges

Assembly instructions

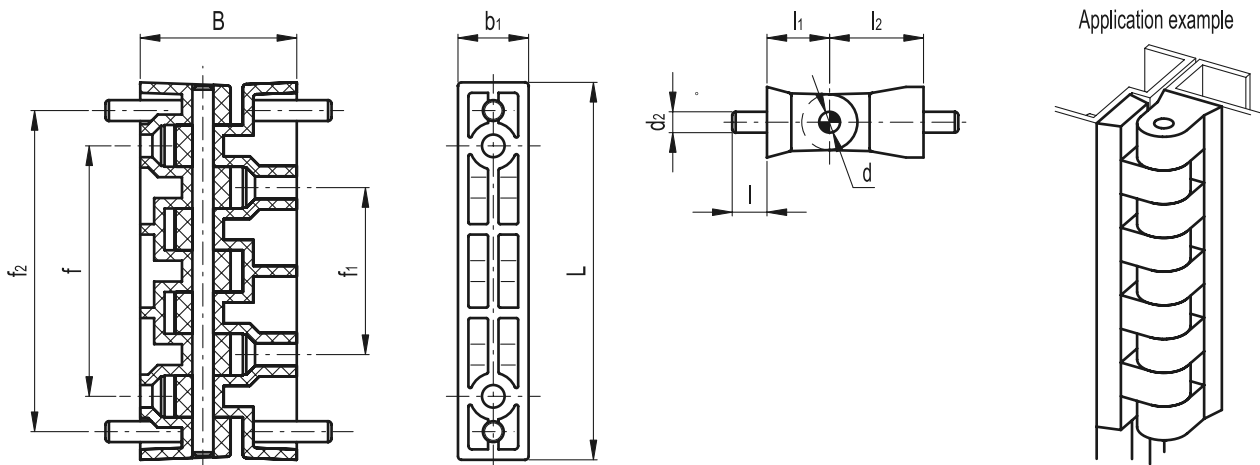
- Remove the rotation pin and fit the two separated parts on the element to be hinged.
- Assembly the two elements together matching the right alignment of the hinge and insert the rotation pin.

Rotation angle

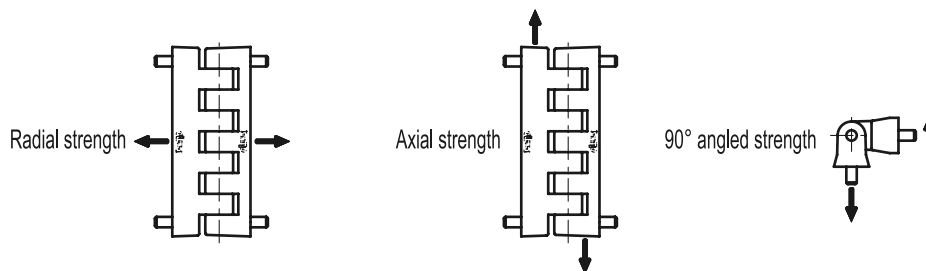
Max 210°, between 0° and -15° and between 0° and 195° (0° = condition where the two interconnected surfaces are at a right angle). Do not exceed the rotation angle limit (see drawing) so as not to prejudice the hinge mechanical performance.



To choose the convenient type and the right number of hinges for your application, see the Guidelines (see page 792).



Standard Elements		Main dimensions										Fitting		⚖
Code	Description	B	L	f ±0.25	f1 ±0.25	f2 ±0.25	l1	l2	b1	d	d2	l	Through holes	g
422511	CFB.108 SH-6	45	109	72.5	48.2	92.7	18	27	20.5	6	6	10	6.5	85



Standard Elements		RADIAL STRENGTH		AXIAL STRENGTH		90° ANGLED STRENGTH		Maximum tightening torque [Nm]
Code	Description	Maximum working load Er [N]	Load at breakage Rr [N]	Maximum working load Ea [N]	Load at breakage Ra [N]	Maximum working load E90 [N]	Load at breakage R90 [N]	
422511	CFB.108 SH-6	640	5020	610	6020	520	2200	3