

Nuts

- **Material**
 - Zinc-plated steel.
 - AISI 304 stainless steel.
- **Conformity**
UNI 5588 DIN 934.

Features and applications

AISI 304 stainless steel, with low sulphur contents (less than 0.030%) is particularly resistant to corrosion. NT nuts are particularly suitable for applications on machines and equipment in those sectors where laws or particular hygienic, climatic and environmental factors make it mandatory to use corrosion resistant materials.



Zinc-plated steel nuts		△
Code	Description	g
301015	NT-M8	16
301021	NT-M10	18
301025	NT-M12	20
301035	NT-M16	30
301045	NT-M20	55
301055	NT-M24	93
301065	NT-M30	105

AISI 304 stainless steel nuts		△
Code	Description	g
321015	NT-SST-M8	16
321021	NT-SST-M10	18
321025	NT-SST-M12	21
321035	NT-SST-M16	31
321045	NT-SST-M20	56
321055	NT-SST-M24	95

No-slip disks

Experience over the years has shown how the No-slip disk is an important but also critical component of the levelling element. The increasingly greater use of the No-slip disk to give the base more stability and adherence to the ground has shown that the disk may detach while the machinery is being moved due to accidental impacts or because the disk adheres to the floor.

After in-depth studies and numerous tests in our laboratories, it was decided to produce a version of the base to which a No-slip disk is already mounted, thus guaranteeing maximum safety for the applications in which the disk is used. In fact, the base is fitted to the No-slip disk along the entire external section and in the central part of the disk.

Tests have shown that this solution has led to a ten-fold increase in base detachment resistance in case of side impacts (Fig. 1) and a four-fold increase in the axial slippage resistance if the No-slip disk adheres to the floor (Fig. 2).

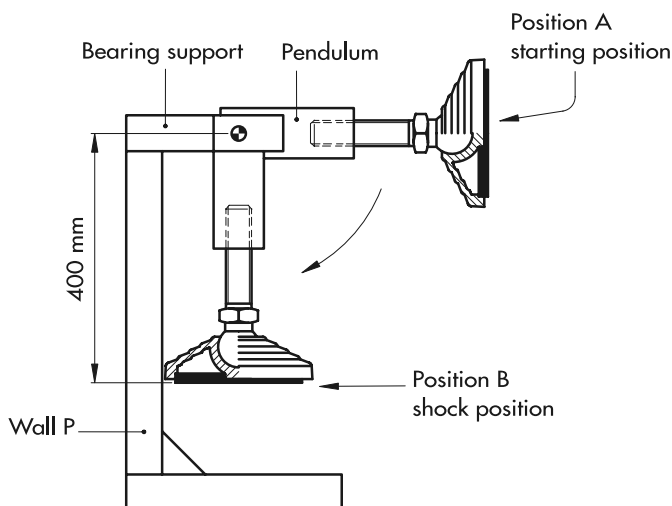


Fig. 1

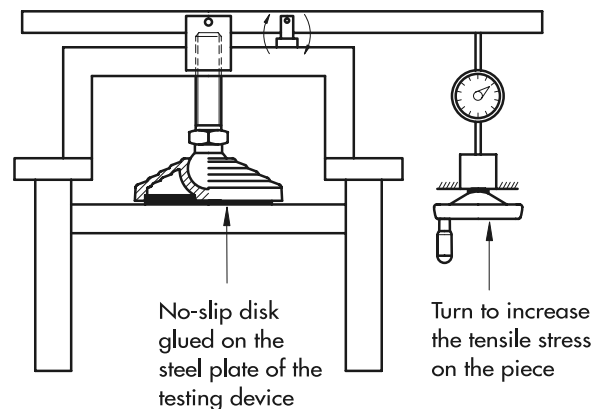


Fig. 2