

# GN 339

## Levelling feet

- **Material**

Execution **ST**: zinc-plated steel (tensile strength 500 N/mm<sup>2</sup>), blue passivated.

- **Plastic caps**

- Execution **KS**: technopolymer Polyacetal (POM), white natural colour, gliding.

- Execution **KR**: technopolymer rubber (TPE), 73 Shore hardness, black colour, non-gliding.

- **Hexagon nut**

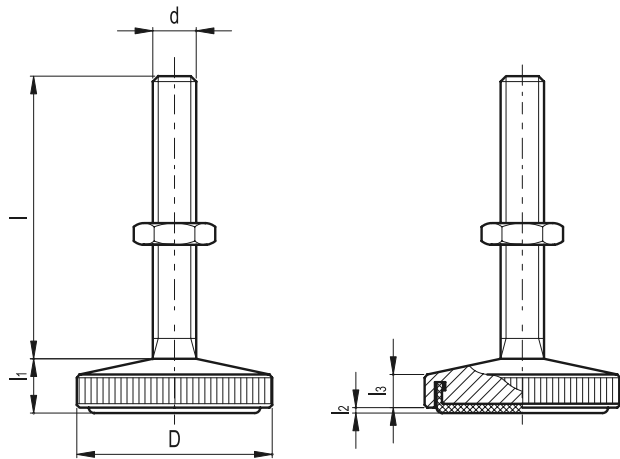
Zinc-plated steel, blue passivated.

### Features and applications

Levelling feet GN 339 are used for applications in cases where no jointed link is required between foot and adjusting screw.

For this reason they offer the advantage of reduced height.

The gliding and/or the non-gliding protective cap is safely fixed in the foot.



Standard Elements	Main dimensions			Threaded stem		⚖	
Description	D	l <sub>1</sub>	l <sub>2</sub>	l <sub>3-</sub>	d	l	g
GN 339-29-M6-30-KS-ST	29	8	1	5	M6	30	34
GN 339-29-M6-30-KR-ST	29	8	0.4	5	M6	30	30
GN 339-29-M6-45-KS-ST	29	8	1	5	M6	45	36
GN 339-29-M6-45-KR-ST	29	8	0.4	5	M6	45	32
GN 339-29-M8-35-KS-ST	29	8	1	5	M8	35	41
GN 339-29-M8-35-KR-ST	29	8	0.4	5	M8	35	37
GN 339-29-M8-55-KS-ST	29	8	1	5	M8	55	48
GN 339-29-M8-55-KR-ST	29	8	0.4	5	M8	55	43
GN 339-36-M8-40-KS-ST	36	9	1	6	M8	40	64
GN 339-36-M8-40-KR-ST	36	9	0.5	6	M8	40	56
GN 339-36-M8-65-KS-ST	36	9	1	6	M8	65	72
GN 339-36-M8-65-KR-ST	36	9	0.5	6	M8	65	65
GN 339-36-M10-45-KS-ST	36	9	1	6	M10	45	78
GN 339-36-M10-45-KR-ST	36	9	0.5	6	M10	45	70
GN 339-36-M10-70-KS-ST	36	9	1	6	M10	70	91
GN 339-36-M10-70-KR-ST	36	9	0.5	6	M10	70	83

# GN 349

## Threaded mounting plates

- **Material**

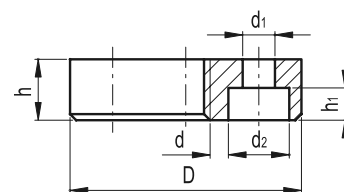
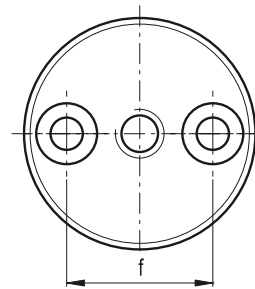
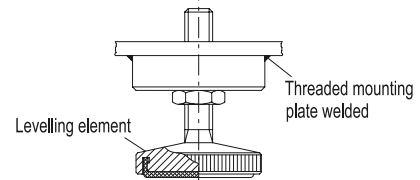
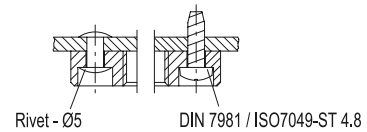
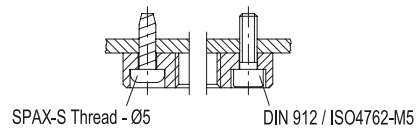
Black-oxide weldable steel.

### Features and applications

Threaded mounting plates GN 349 are used on levelling feet particularly in such cases where a machine shrouding is made of very thin sheet metal.



Installation examples



Standard Elements	Main dimensions						⚖	
Description	D	d	d <sub>1</sub>	d <sub>2</sub>	h	h <sub>1</sub>	f	g
GN 349-36-M8	36	M8	5.3	10	10	5.3	24	67
GN 349-36-M10	36	M10	5.3	10	10	5.3	24	65
GN 349-36-M12	36	M12	5.3	10	10	5.3	24	63