

GN 342.1

Levelling elements

- **Base**
Zinc-plated steel, blue passivated.
- **Damping element**
PUR-elastomer (Sylomer V12), grey colour, glued into the base housing, resistant to oil and to temperatures from -30° C to +70° C.
- **Ball joint**
Zinc-plated steel, blue passivated, threaded.
- **Hexagon nut**
Zinc-plated steel, blue passivated.

Technical data

The load values in the table below represent the limit which the damping insert can withstand permanently.

The static load equals a thrust on the area by 0.4 N/mm², at which the damping material reaches its optimum dynamic damping ability. This also takes into consideration an additional load of 0.6 N/mm² in case of a dynamic load.

When using GN 342.1 ball joint levelling elements the following differentiation in vibration absorption is made:

- active vibrations: vibrations transmitted to surroundings or associated equipment from working machinery for example.
- passive vibrations: vibrations transmitted to equipment or parts from vibrating surroundings or bases.

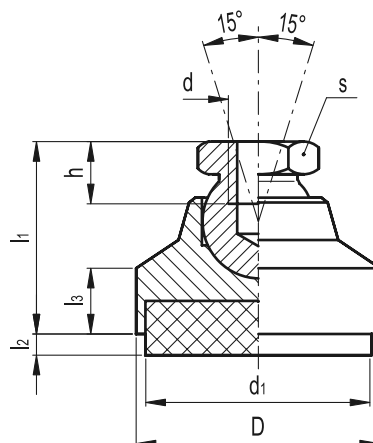
The efficiency of vibration absorption depends on the interference frequency of the vibration to be absorbed as well as on the resonant frequency of the damping element itself.

A vibration absorbing effect is only achieved when the interference frequency is greater than $\sqrt{2}$ times the resonant frequency of the damping element. The greater the difference (Δ) between the two, the better is the damping effect. The resonant frequency of the damping pad depends on the type (composition) of the material cross section and the static load.

The Vibration absorption - Performance graphs (see page 752) show all required data of standard material (SV12) of the damping pad. Damping materials with other absorption properties are available on request.

Order information

The levelling element is supplied assembled.



Standard Elements Description	Main dimensions				Threaded hole		Wrench s	l2 compression [N/mm ²]			Area [mm ²] damping insert	Static load # [N]	Δ g
	D	d1	l1	l3	d	h		0	0.4	0.6			
GN 342.1-32-M10-SV	32	30	29	11	M10	10.5	16	5.5	4.3	3.4	707	280	65
GN 342.1-40-M12-SV	40	38	30	9.5	M12	11.5	18	6	4.8	3.9	1134	450	100
GN 342.1-50-M12-SV	50	48	30.5	9	M12	11.5	18	6.5	5.3	4.4	1809	720	137
GN 342.1-60-M16-SV	60	58	37.5	10	M16	16	24	7	5.8	4.9	2641	1050	275

See technical data



ELESA-GANTER

ELESA and GANTER models all rights reserved in accordance with the law. Always mention the source when reproducing our drawings.

GN 342.1 GN 342.2

Vibration absorption - Performance graphs

Example

Assume a load per levelling foot: 400 N.

Compression levelling foot D = 32

400 N

$707 \text{ mm}^2 = 0,57 \text{ N/mm}^2$

Compression levelling foot D = 40

400 N

$1134 \text{ mm}^2 = 0,34 \text{ N/mm}^2$

Therefore levelling feet with D=40, that exert a pressure of 0.4 N/mm² should be preferred.

The above graph shows:

Resonant frequency with compression 0.34 N/mm²: 19 Hz.

The lower graph shows:

Degree of isolation at 66 Hz interference frequency (P1): 90%

Degree of isolation at 98 Hz interference frequency (P2): 97%

At approximately 200 Hz interference frequency the degree of isolation is 100%.

11

752

Levelling elements

