

# LV.F-125-APS

ELESA Original design

## Levelling elements for ground mounting



### • Base

Glass-fibre reinforced polyamide based (PA) technopolymer. Resistant to solvents, oils, greases and other chemical agents.

### • Colour

Black, matte finish.

### • Through stem

Threaded zinc-plated steel and regulation hexagon with black-oxide steel retaining ring and zinc-plated steel plain washer.

### • No-slip disk

NBR synthetic rubber, hardness 90 Shore A.

- LV.F: without no-slip disk.

- LV.F-AS: with no-slip disk, supplied assembled, reinforced with a zinc-plated steel plate and fixed by means of two screws.

### • Ground mounting

By means of two holes at 180°, covered by breakable plastic diaphragms which can be easily removed by a metal tool. They avoid all unhealthy deposits of dirt and dust when the ground mounting is not required (see below Assembly Instructions).

### Accessories on request

Zinc-plated steel nut to be ordered separately (see Nuts NT. on page 756).

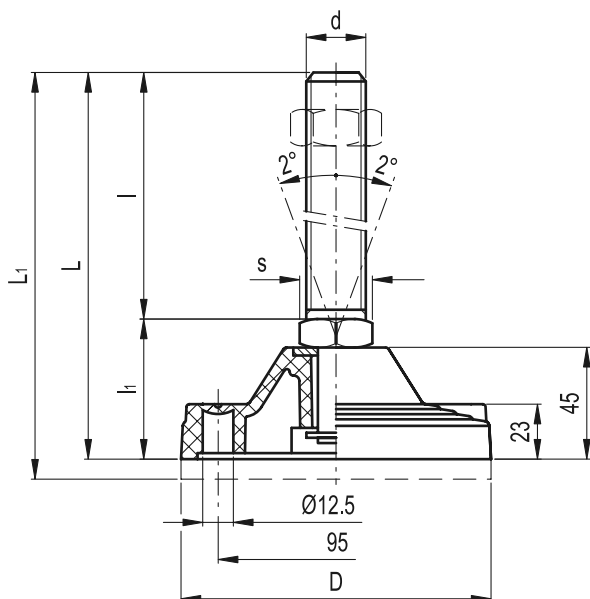
### Special executions on request

(For sufficient quantities)  
 AISI 304 stainless steel stems.

### Features and applications

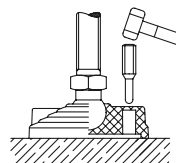
The light knurling under the lower lip of the levelling element provides excellent **stability and grip** when using the levelling element without no-slip disk even on surfaces that are not perfectly flat.

The levelling element is **supplied assembled**.

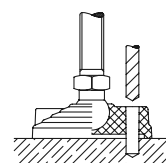


### Assembly instructions

Break the diaphragm



Make a hole



Without no-slip disk		With no-slip disk		Main dimensions			Threaded stem		Wrench	Max limit static load*	⚖		
Code	Description	Code	Description	D	L	L1#	l1	d	l	s	[N]	g	g#
313961	LV.F-125-APS-M20x95	316961	LV.F-125-APS-AS-M20x95	125	150	160	55	M20	95	24	40000	470	720
313965	LV.F-125-APS-M20x155	316965	LV.F-125-APS-AS-M20x155	125	210	220	55	M20	155	24	40000	590	840
313971	LV.F-125-APS-M24x95	316971	LV.F-125-APS-AS-M24x95	125	150	160	55	M24	95	24	40000	625	875
313975	LV.F-125-APS-M24x155	316975	LV.F-125-APS-AS-M24x155	125	210	220	55	M24	155	24	40000	740	990
313985	LV.F-125-APS-M30x155	316985	LV.F-125-APS-AS-M30x155	125	210	220	55	M30	155	30	40000	930	1180

\* "Max limit static load" means the value over which the applied load to the element, in certain conditions of use, may cause plastic material deformation.

# Data with no-slip disk mounted.