

LV.F-125-ACV

ELESA Original design

Levelling elements for ground mounting



• Base

Glass-fibre reinforced polyamide based (PA) technopolymer. Resistant to solvents, oils, greases and other chemical agents.

• Colour

Black, matte finish.

• Articulated through stem

Threaded zinc-plated steel and regulation hexagon.

• Stem/base assembly

By means of zinc-plated steel set screw and washer.

• Cup washer

Zinc-plated steel.

• No-slip disk

NBR synthetic rubber, hardness 90 Shore A.

- LV.F: without no-slip disk.

- LV.F-AS: with no-slip disk, supplied assembled, reinforced with a zinc-plated steel plate and fixed by means of two screws.

• Ground mounting

By means of two holes at 180°, covered by breakable plastic diaphragms which can be easily removed by a metal tool. They avoid all unhealthy deposits of dirt and dust when the ground mounting is not required (see below Assembly Instructions).

Accessories on request

Zinc-plated steel nut to be ordered separately (see Nuts NT. on page 756).

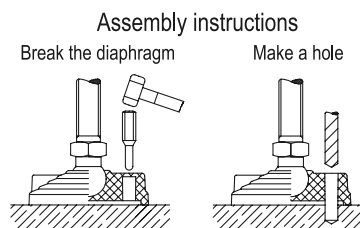
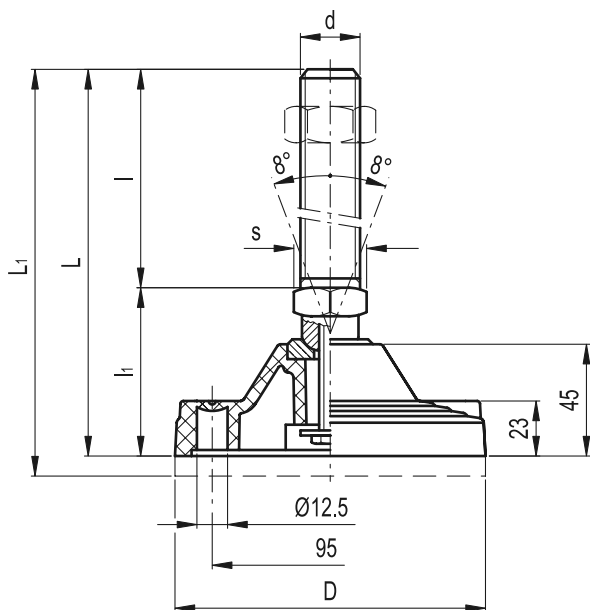
Special executions on request (For sufficient quantities)

AISI 304 stainless steel stems.

Features and applications

The light knurling under the lower lip of the levelling element provides excellent **stability and grip** when using the levelling element without no-slip disk even on surfaces that are not perfectly flat.

The levelling element is **supplied assembled**.



Without no-slip disk		With no-slip disk		Main dimensions				Threaded stem		Wrench	Max limit static load*	△△	
Code	Description	Code	Description	D	L	L1#	l1	d	l	s	[N]	g	g#
313921	LV.F-125-ACV-M20x136	316921	LV.F-125-ACV-AS-M20x136	125	200	210	64	M20	136	24	40000	585	835
313925	LV.F-125-ACV-M20x186	316925	LV.F-125-ACV-AS-M20x186	125	250	260	64	M20	186	24	40000	695	945
313931	LV.F-125-ACV-M24x136	316931	LV.F-125-ACV-AS-M24x136	125	200	210	64	M24	136	24	40000	735	985
313935	LV.F-125-ACV-M24x186	316935	LV.F-125-ACV-AS-M24x186	125	250	260	64	M24	186	24	40000	845	1095
313941	LV.F-125-ACV-M30x136	316941	LV.F-125-ACV-AS-M30x136	125	200	210	64	M30	136	30	40000	945	1195
313945	LV.F-125-ACV-M30x186	316945	LV.F-125-ACV-AS-M30x186	125	250	260	64	M30	186	30	40000	1035	1285

* "Max limit static load" means the value over which the applied load to the element, in certain conditions of use, may cause plastic material deformation.

Data with no-slip disk mounted.