

# LV.A-ELK

ELESA Original design

## Levelling elements



- **Base**  
Glass-fibre reinforced polyamide based (PA) technopolymer. Resistant to solvents, oils, greases and other chemical agents.
- **Colour**  
Black, matte finish.
- **Articulated stem with built-in regulation knob**  
Threaded zinc-plated steel stem complete with regulation knob in technopolymer type ELK.
- **Washer and retaining screw (M4x10)**  
Black-oxide steel.
- **No-slip disk**  
NBR synthetic rubber, hardness 70 Shore A.  
- LV.A: without no-slip disk.  
- LV.A-AS: with no-slip disk, supplied assembled.

### Accessories on request

Zinc-plated steel nut to be ordered separately (see Nuts NT. on page 756).

### Features and applications

The light knurling under the lower lip of the levelling element provides excellent **stability and grip** when using the levelling element without no-slip disk even on surfaces that are not perfectly flat.

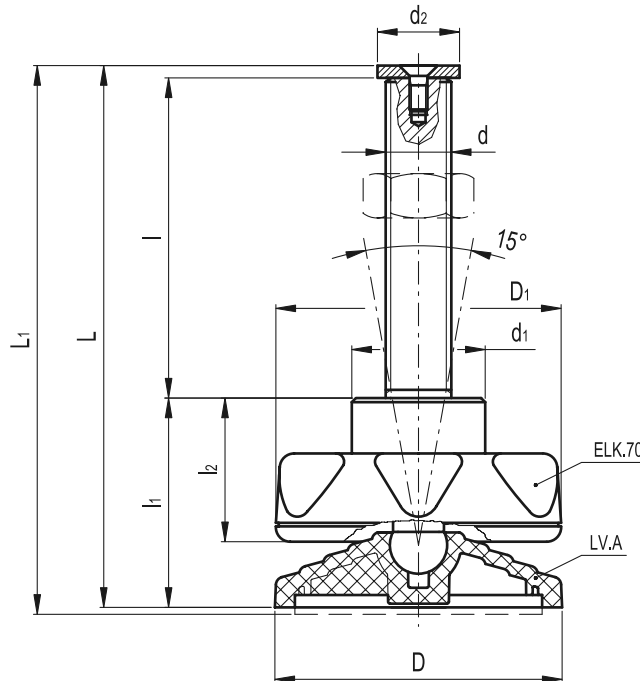
The particular configuration of bases and no-slip disks assures a strong assembly, preventing separation in case of strong impact or adhesion with the floor (see No-slip disks on page 756).

ELK. built-in regulation knob enables the operator to adjust manually the stem without the use of any tools or keys.

The levelling element is **supplied assembled**.

### Note

Threaded stem with built-in knob SM-14-M16x78-ELK (code 302581) is also available sold separately to fit to other bases with hole for articulation with diameter 14 mm.



Without no-slip disk		With no-slip disk		Main dimensions								Threaded stem		Articulation	Max limit static load*	⚖	
Code	Description	Code	Description	D	D1	L	L1#	l1	l2	d1	d2	d	l	Ø	[N]	g	g#
304118	LV.A-70-14-M16x78-ELK	308118	LV.A-70-14-AS-M16x78-ELK	70	70	132	135	51	35	33	20	M16	78	14	14000	332	352
304581	LV.A-80-14-M16x78-ELK	308581	LV.A-80-14-AS-M16x78-ELK	80	70	137	140	56	35	33	20	M16	78	14	14000	330	356

\* "Max limit static load" means the value over which the applied load to the element, in certain conditions of use, may cause plastic material deformation.

# Data with no-slip disk mounted.