

# LV.A-125-APS

ELESA Original design

## Levelling elements



- **Base**  
Glass-fibre reinforced polyamide based (PA) technopolymer. Resistant to solvents, oils, greases and other chemical agents.
- **Colour**  
Black, matte finish.
- **Through stem**  
Threaded zinc-plated steel and regulation hexagon with black-oxide steel retaining ring and zinc-plated steel plain washer.
- **No-slip disk**  
NBR synthetic rubber, hardness 90 Shore A.  
- LV.A: without no-slip disk.  
- LV.A-AS: with no-slip disk, supplied assembled, reinforced with a zinc-plated steel plate and fixed by means of two screws.

### Accessories on request

Zinc-plated steel nut to be ordered separately (see Nuts NT. on page 756).

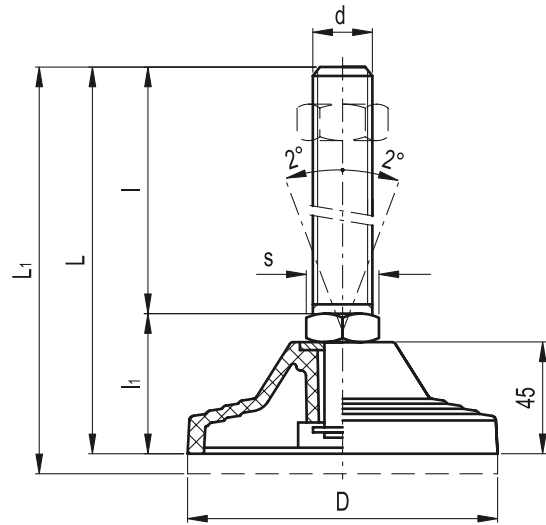
**Special executions on request** (For sufficient quantities)

AISI 304 stainless steel stems.

### Features and applications

The light knurling under the lower lip of the levelling element provides excellent **stability and grip** when using the levelling element without no-slip disk even on surfaces that are not perfectly flat.

The levelling element is **supplied assembled**.



Without no-slip disk		With no-slip disk		Main dimensions				Threaded stem		Wrench	Max limit static load*	⚖	
Code	Description	Code	Description	D	L	L1#	h1	d	l	s	[N]	g	g#
306961	LV.A-125-APS-M20x95	310961	LV.A-125-APS-AS-M20x95	125	150	160	55	M20	95	24	40000	465	715
306965	LV.A-125-APS-M20x155	310965	LV.A-125-APS-AS-M20x155	125	210	220	55	M20	155	24	40000	585	835
306971	LV.A-125-APS-M24x95	310971	LV.A-125-APS-AS-M24x95	125	150	160	55	M24	95	24	40000	620	870
306975	LV.A-125-APS-M24x155	310975	LV.A-125-APS-AS-M24x155	125	210	220	55	M24	155	24	40000	735	985
306985	LV.A-125-APS-M30x155	310985	LV.A-125-APS-AS-M30x155	125	210	220	55	M30	155	30	40000	925	1175

\* "Max limit static load" means the value over which the applied load to the element, in certain conditions of use, may cause plastic material deformation.

# Data with no-slip disk mounted.



**eleSA-GANTER**

ELESA and GANTER models all rights reserved in accordance with the law. Always mention the source when reproducing our drawings.