

LV.A-125-ACV

ELESA Original design

Levelling elements



- **Base**
Glass-fibre reinforced polyamide based (PA) technopolymer. Resistant to solvents, oils, greases and other chemical agents.
- **Colour**
Black, matte finish.
- **Articulated through stem**
Threaded zinc-plated steel and regulation hexagon.
- **Stem/base assembly**
Zinc-plated steel set screw and washer.
- **Cup washer**
Zinc-plated steel.
- **No-slip disk**
NBR synthetic rubber, hardness 90 Shore A.
- LV.A: without no-slip disk.
- LV.A-AS: with no-slip disk, supplied assembled, reinforced with a zinc-plated steel plate and fixed by means of two screws.

Accessories on request

Zinc-plated steel nut to be ordered separately (see Nuts NT. on page 756).

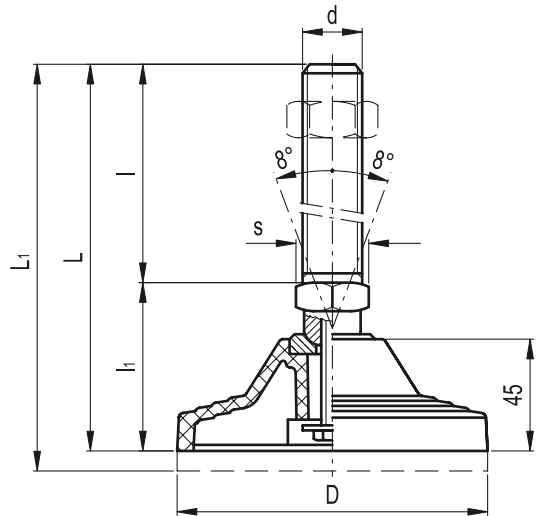
Special executions on request (For sufficient quantities)

AISI 304 stainless steel stems.

Features and applications

The light knurling under the lower lip of the levelling element provides excellent **stability and grip** when using the levelling element without no-slip disk even on surfaces that are not perfectly flat.

The levelling element is **supplied assembled**.



Without no-slip disk		With no-slip disk		Main dimensions				Threaded stem		Wrench	Max limit static load*	⚖	
Code	Description	Code	Description	D	L	L1#	h1	d	l	s	[N]	g	g#
306921	LV.A-125-ACV-M20x136	310921	LV.A-125-ACV-AS-M20x136	125	200	210	64	M20	136	24	40000	580	830
306925	LV.A-125-ACV-M20x186	310925	LV.A-125-ACV-AS-M20x186	125	250	260	64	M20	186	24	40000	690	940
306931	LV.A-125-ACV-M24x136	310931	LV.A-125-ACV-AS-M24x136	125	200	210	64	M24	136	24	40000	730	980
306935	LV.A-125-ACV-M24x186	310935	LV.A-125-ACV-AS-M24x186	125	250	260	64	M24	186	24	40000	840	1090
306941	LV.A-125-ACV-M30x136	310941	LV.A-125-ACV-AS-M30x136	125	200	210	64	M30	136	30	40000	940	1190
306945	LV.A-125-ACV-M30x186	310945	LV.A-125-ACV-AS-M30x186	125	250	260	64	M30	186	30	40000	1030	1280

* "Max limit static load" means the value over which the applied load to the element, in certain conditions of use, may cause plastic material deformation.

Data with no-slip disk mounted.

