

## Levelling elements



- **Base**  
Glass-fibre reinforced polyamide based (PA) technopolymer. Resistant to solvents, oils, greases and other chemical agents.
- **Colour**  
Black, matte finish.
- **Articulated stem**  
Threaded zinc-plated steel and regulation hexagon.
- **No-slip disk**  
NBR synthetic rubber, hardness 70 Shore A.  
- LS.A: without no-slip disk.  
- LS.A-AS: with no-slip disk, supplied assembled.

### Accessories on request

Zinc-plated steel nut to be ordered separately (see nuts NT. on page 756).

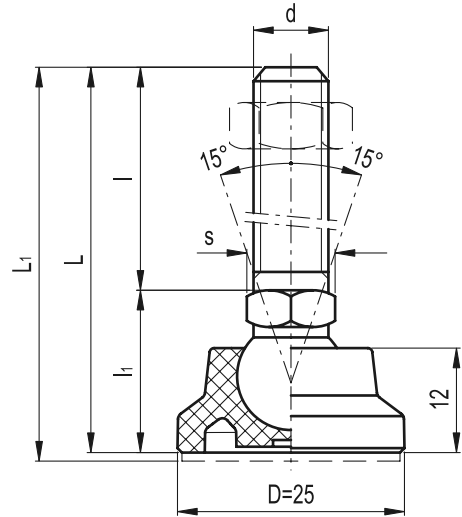
### Features

The particular configuration of bases and no-slip disks assures a strong assembly, preventing separation in case of strong impact or adhesion with the floor (see No-slip disks on page 756).

### Order information

To order bases and stems separately, see the table of the possible combinations Bases/Stems (see page 757).

The levelling element is **supplied unassembled** to make carriage and storage easier; the components are in separate packing: less volume taken and better protection from scratches and dirt.

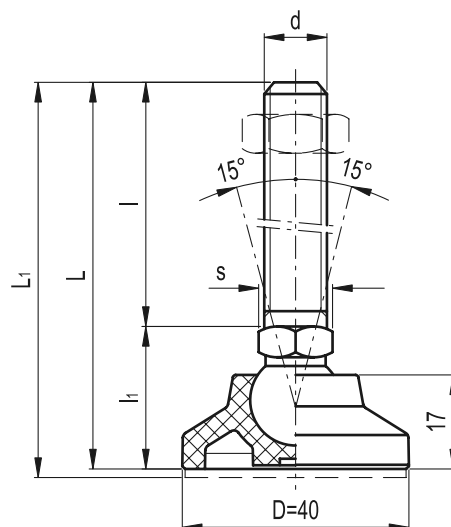
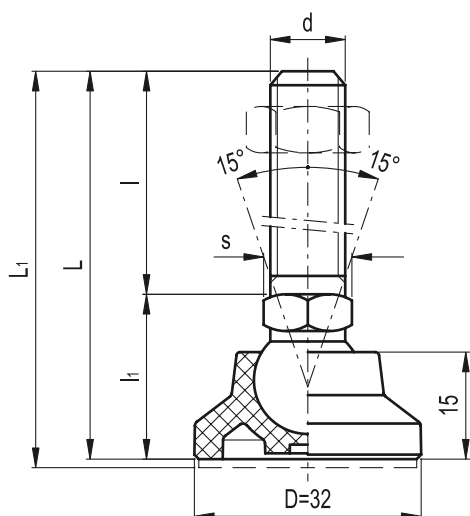


Without no-slip disk		With no-slip disk		Main dimensions				Threaded stem		Articulation	Wrench	Max limit static load*	⚖	
Code	Description	Code	Description	D	L	L1#	l1	d	l	Ø	s	[N]	g	g#
341121	LS.A-25-14-M8x43	346121	LS.A-25-14-AS-M8x43	25	67	70	24	M8	43	14	14	5000	32	34
341125	LS.A-25-14-M8x68	346125	LS.A-25-14-AS-M8x68	25	92	95	24	M8	68	14	14	5000	42	44
341221	LS.A-25-14-M10x43	346221	LS.A-25-14-AS-M10x43	25	67	70	24	M10	43	14	14	5000	42	44
341225	LS.A-25-14-M10x68	346225	LS.A-25-14-AS-M10x68	25	92	95	24	M10	68	14	14	5000	54	56
341231	LS.A-25-14-M10x98	346231	LS.A-25-14-AS-M10x98	25	122	125	24	M10	98	14	14	5000	68	70
341321	LS.A-25-14-M12x43	346321	LS.A-25-14-AS-M12x43	25	67	70	24	M12	43	14	14	5000	52	54
341325	LS.A-25-14-M12x68	346325	LS.A-25-14-AS-M12x68	25	92	95	24	M12	68	14	14	5000	69	71
341331	LS.A-25-14-M12x98	346331	LS.A-25-14-AS-M12x98	25	122	125	24	M12	98	14	14	5000	90	92
341521	LS.A-25-14-M16x68	346521	LS.A-25-14-AS-M16x68	25	92	95	24	M16	68	14	16	5000	113	115
341525	LS.A-25-14-M16x108	346525	LS.A-25-14-AS-M16x108	25	132	135	24	M16	108	14	16	5000	162	164
341541	LS.A-25-14-M16x148	346541	LS.A-25-14-AS-M16x148	25	172	175	24	M16	148	14	16	5000	214	216
341561	LS.A-25-14-M16x168	346561	LS.A-25-14-AS-M16x168	25	192	195	24	M16	168	14	16	5000	240	242

\* "Max limit static load" means the value over which the applied load to the element, in certain conditions of use, may cause plastic material deformation.

# Data with no-slip disk mounted.

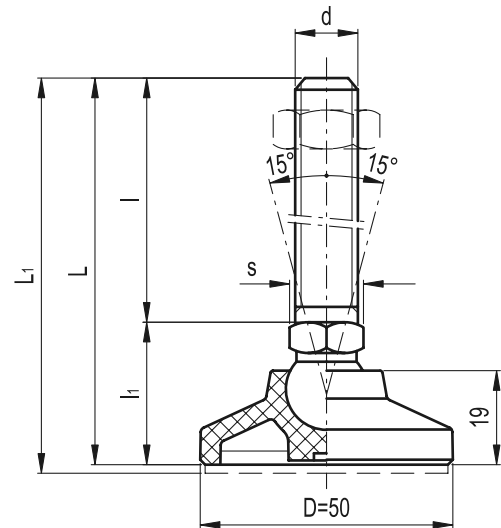




Without no-slip disk		With no-slip disk		Main dimensions				Threaded stem		Articulation	Wrench	Max limit static load*	⚖	
Code	Description	Code	Description	D	L	L1#	l1	d	l	Ø	s	[N]	g	g#
342121	LS.A-32-14-M8x43	347121	LS.A-32-14-AS-M8x43	32	68	71	25	M8	43	14	14	7000	37	41
342125	LS.A-32-14-M8x68	347125	LS.A-32-14-AS-M8x68	32	93	96	25	M8	68	14	14	7000	47	51
342221	LS.A-32-14-M10x43	347221	LS.A-32-14-AS-M10x43	32	68	71	25	M10	43	14	14	7000	47	51
342225	LS.A-32-14-M10x68	347225	LS.A-32-14-AS-M10x68	32	93	96	25	M10	68	14	14	7000	59	63
342231	LS.A-32-14-M10x98	347231	LS.A-32-14-AS-M10x98	32	123	126	25	M10	98	14	14	7000	73	77
342321	LS.A-32-14-M12x43	347321	LS.A-32-14-AS-M12x43	32	68	71	25	M12	43	14	14	7000	57	61
342325	LS.A-32-14-M12x68	347325	LS.A-32-14-AS-M12x68	32	93	96	25	M12	68	14	14	7000	74	78
342331	LS.A-32-14-M12x98	347331	LS.A-32-14-AS-M12x98	32	123	126	25	M12	98	14	14	7000	95	99
342521	LS.A-32-14-M16x68	347521	LS.A-32-14-AS-M16x68	32	93	96	25	M16	68	14	16	7000	118	122
342525	LS.A-32-14-M16x108	347525	LS.A-32-14-AS-M16x108	32	133	136	25	M16	108	14	16	7000	170	174
342541	LS.A-32-14-M16x148	347541	LS.A-32-14-AS-M16x148	32	173	176	25	M16	148	14	16	7000	222	226
342561	LS.A-32-14-M16x168	347561	LS.A-32-14-AS-M16x168	32	193	196	25	M16	168	14	16	7000	248	252
343121	LS.A-40-14-M8x43	348121	LS.A-40-14-AS-M8x43	40	68	71	25	M8	43	14	14	10000	41	48
343125	LS.A-40-14-M8x68	348125	LS.A-40-14-AS-M8x68	40	93	96	25	M8	68	14	14	10000	51	58
343221	LS.A-40-14-M10x43	348221	LS.A-40-14-AS-M10x43	40	68	71	25	M10	43	14	14	10000	51	58
343225	LS.A-40-14-M10x68	348225	LS.A-40-14-AS-M10x68	40	93	96	25	M10	68	14	14	10000	63	70
343231	LS.A-40-14-M10x98	348231	LS.A-40-14-AS-M10x98	40	123	126	25	M10	98	14	14	10000	77	84
343321	LS.A-40-14-M12x43	348321	LS.A-40-14-AS-M12x43	40	68	71	25	M12	43	14	14	10000	61	68
343325	LS.A-40-14-M12x68	348325	LS.A-40-14-AS-M12x68	40	93	96	25	M12	68	14	14	10000	78	85
343331	LS.A-40-14-M12x98	348331	LS.A-40-14-AS-M12x98	40	123	126	25	M12	98	14	14	10000	99	106
343521	LS.A-40-14-M16x68	348521	LS.A-40-14-AS-M16x68	40	93	96	25	M16	68	14	16	10000	122	129
343525	LS.A-40-14-M16x108	348525	LS.A-40-14-AS-M16x108	40	133	136	25	M16	108	14	16	10000	174	181
343541	LS.A-40-14-M16x148	348541	LS.A-40-14-AS-M16x148	40	173	176	25	M16	148	14	16	10000	226	233
343561	LS.A-40-14-M16x168	348561	LS.A-40-14-AS-M16x168	40	193	196	25	M16	168	14	16	10000	252	259

\* "Max limit static load" means the value over which the applied load to the element, in certain conditions of use, may cause plastic material deformation.

# Data with no-slip disk mounted.



Without no-slip disk		With no-slip disk		Main dimensions				Threaded stem		Articulation	Wrench	Max limit static load*	⚖	
Code	Description	Code	Description	D	L	L1#	l1	d	l	Ø	s	[N]	g	g#
344121	LS.A-50-14-M8x43	349121	LS.A-50-14-AS-M8x43	50	70	73	27	M8	43	14	14	10000	48	60
344125	LS.A-50-14-M8x68	349125	LS.A-50-14-AS-M8x68	50	95	98	27	M8	68	14	14	10000	58	70
344221	LS.A-50-14-M10x43	349221	LS.A-50-14-AS-M10x43	50	70	73	27	M10	43	14	14	10000	58	70
344225	LS.A-50-14-M10x68	349225	LS.A-50-14-AS-M10x68	50	95	98	27	M10	68	14	14	10000	70	82
344231	LS.A-50-14-M10x98	349231	LS.A-50-14-AS-M10x98	50	125	128	27	M10	98	14	14	10000	84	96
344321	LS.A-50-14-M12x43	349321	LS.A-50-14-AS-M12x43	50	70	73	27	M12	43	14	14	10000	68	80
344325	LS.A-50-14-M12x68	349325	LS.A-50-14-AS-M12x68	50	95	98	27	M12	68	14	14	10000	85	97
344331	LS.A-50-14-M12x98	349331	LS.A-50-14-AS-M12x98	50	125	128	27	M12	98	14	14	10000	106	118
344521	LS.A-50-14-M16x68	349521	LS.A-50-14-AS-M16x68	50	95	98	27	M16	68	14	16	10000	129	141
344525	LS.A-50-14-M16x108	349525	LS.A-50-14-AS-M16x108	50	135	138	27	M16	108	14	16	10000	181	193
344541	LS.A-50-14-M16x148	349541	LS.A-50-14-AS-M16x148	50	175	178	27	M16	148	14	16	10000	233	245
344561	LS.A-50-14-M16x168	349561	LS.A-50-14-AS-M16x168	50	195	198	27	M16	168	14	16	10000	259	271

\* "Max limit static load" means the value over which the applied load to the element, in certain conditions of use, may cause plastic material deformation.

# Data with no-slip disk mounted.