

# GN 343.3

## Levelling elements



### • Base

Glass-fibre reinforced polyamide-based (PA) technopolymer, black colour, matte finish. Resistant to solvents, oils, greases and other chemical agents.

### • Ball joint

Zinc-plated steel, blue passivated.

### • No-slip disk

- Execution **A**: without no-slip disk.

- Execution **G**: with NBR synthetic rubber, hardness 70 Shore A, no-slip disk, supplied assembled.

### Features

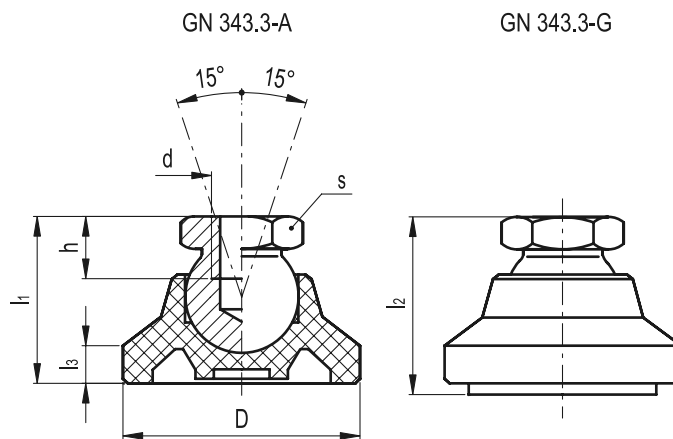
The particular configuration of bases and no-slip disks assures a strong assembly, preventing separation in case of strong impact or adhesion with the floor.



11

722

Levelling elements



Standard Elements	Main dimensions				Threaded hole		Wrench	Static load #	⚖
	D	l <sub>1</sub>	l <sub>2</sub>	l <sub>3</sub>	d	h	s	[N]	
GN 343.3-25-M6-A	25	18.5	-	4	M6	9	12	5000	9
GN 343.3-25-M8-A	25	18.5	-	4	M8	9	12	5000	13
GN 343.3-32-M8-A	32	22.5	-	5	M8	9	12	7000	15
GN 343.3-32-M10-A	32	22.5	-	5	M10	10.5	15	7000	22
GN 343.3-40-M10-A	40	25.5	-	6	M10	10.5	15	10000	25
GN 343.3-40-M12-A	40	25.5	-	6	M12	11.5	17	10000	30
GN 343.3-50-M10-A	50	27.5	-	7	M10	10.5	15	10000	24
GN 343.3-50-M12-A	50	27.5	-	7	M12	11.5	17	10000	39
GN 343.3-60-M12-A	60	35.5	-	8.5	M12	11.5	17	14000	38
GN 343.3-60-M16-A	60	35.5	-	8.5	M16	16	24	14000	75
GN 343.3-25-M6-G	25	18.5	21.5	4	M6	9	12	5000	11
GN 343.3-25-M8-G	25	18.5	21.5	4	M8	9	12	5000	15
GN 343.3-32-M8-G	32	22.5	25.5	5	M8	9	12	7000	19
GN 343.3-32-M10-G	32	22.5	25.5	5	M10	10.5	15	7000	25
GN 343.3-40-M10-G	40	25.5	28.5	6	M10	10.5	15	10000	26
GN 343.3-40-M12-G	40	25.5	28.5	6	M12	11.5	17	10000	39
GN 343.3-50-M10-G	50	27.5	30.5	7	M10	10.5	15	10000	27
GN 343.3-50-M12-G	50	27.5	30.5	7	M12	11.5	17	10000	50
GN 343.3-60-M12-G	60	35.5	38.5	8.5	M12	11.5	17	14000	51
GN 343.3-60-M16-G	60	35.5	38.5	8.5	M16	16	24	14000	91

# Static load stand for the value over which the applied load to the element, in certain use conditions, may cause plastic material deformation.



**Elesa+GANTER**

ELESA and GANTER models all rights reserved in accordance with the law. Always mention the source when reproducing our drawings.