

# GN 808.3

## Universal joint shafts with needle bearing



- **Material**  
Blank steel.
- **Joint bearing**  
Hardened steel.
- **Pins**  
Hardened steel.
- **Bearing sleeves**  
Hardened steel.
- **Bore**
  - Execution **B**: plain holes.
  - Execution **K**: plain holes with DIN 6885 keyway.

### Special executions on request (For sufficient quantities)

- Execution **V**: square holes.

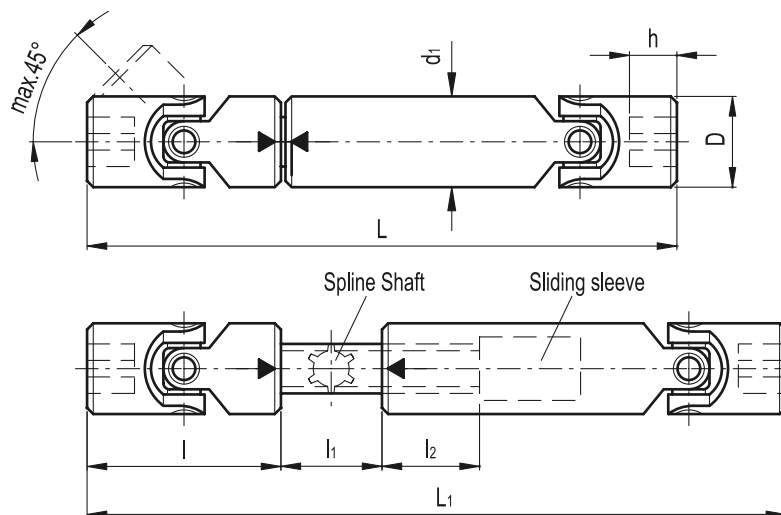
### Features and applications

Universal joint shafts with needle bearing GN 808.3 do not only bridge the misalignment of two shafts, but at the same time they offer a length compensation. The power transmission is achieved by two universal joints DIN 808 (type EW) a splined shaft and a sliding sleeve.

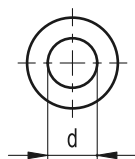
It is important to check the accuracy when connecting the splined shaft to the sliding sleeve. The markings =><= have to be opposite to each other.

Any kind of misconnection leads to an inhomogeneous output and to a quick abrasion.

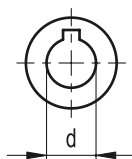
Besides the different types listed in above table L- I<sub>1</sub>, and for design-engineering reasons limited length L, almost each desired length can be provided.



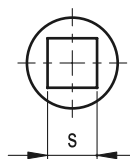
GN 808.3-B



GN 808.3-K



GN 808.3-V



Standard Elements	Main dimensions								
	Description	D	d H7	s H11	d1	h min	L - l1	L1	l
GN 808.3-22-K10-140-30	22	10	-	22	12	140-30	170	48	30
GN 808.3-22-K10-160-40	22	10	-	22	12	160-40	200	48	30
GN 808.3-22-K10-180-60	22	10	-	22	12	180-60	240	48	30
GN 808.3-22-B10-140-30*	22	10	-	22	12	140-30	170	48	30
GN 808.3-22-B10-160-40*	22	10	-	22	12	160-40	200	48	30
GN 808.3-22-B10-180-60*	22	10	-	22	12	180-60	240	48	30
GN 808.3-22-V10-140-30*	22	-	10x10	22	12	140-30	170	48	30
GN 808.3-22-V10-160-40*	22	-	10x10	22	12	160-40	200	48	30
GN 808.3-22-V10-180-60*	22	-	10x10	22	12	180-60	240	48	30
GN 808.3-22-K12-140-30*	22	12	-	22	18	140-30	170	62	30
GN 808.3-22-K12-160-40*	22	12	-	22	18	160-40	200	62	30
GN 808.3-22-K12-180-60*	22	12	-	22	18	180-60	240	62	30
GN 808.3-22-B12-140-30*	22	12	-	22	18	140-30	170	62	30
GN 808.3-22-B12-160-40*	22	12	-	22	18	160-40	200	62	30
GN 808.3-22-B12-180-60*	22	12	-	22	18	180-60	240	62	30
GN 808.3-25-K12-160-30	25	12	-	26	13	160-30	190	56	40
GN 808.3-25-K12-180-45	25	12	-	26	13	180-45	225	56	40
GN 808.3-25-K12-200-70	25	12	-	26	13	200-70	270	56	40
GN 808.3-25-K12-250-105	25	12	-	26	13	250-105	355	56	40
GN 808.3-25-B12-160-30*	25	12	-	26	13	160-30	190	56	40
GN 808.3-25-B12-180-45*	25	12	-	26	13	180-45	225	56	40
GN 808.3-25-B12-200-70*	25	12	-	26	13	200-70	270	56	40
GN 808.3-25-B12-250-105*	25	12	-	26	13	250-105	355	56	40
GN 808.3-25-V12-160-30*	25	-	12x12	26	13	160-30	190	56	40
GN 808.3-25-V12-180-45*	25	-	12x12	26	13	180-45	225	56	40
GN 808.3-25-V12-200-70*	25	-	12x12	26	13	200-70	270	56	40
GN 808.3-25-V12-250-105*	25	-	12x12	26	13	250-105	355	56	40
GN 808.3-25-K16-160-30*	25	16	-	26	21	160-30	190	74	40
GN 808.3-25-K16-180-45*	25	16	-	26	21	180-45	225	74	40
GN 808.3-25-K16-200-70*	25	16	-	26	21	200-70	270	74	40
GN 808.3-25-K16-250-105*	25	16	-	26	21	250-105	355	74	40
GN 808.3-25-B16-160-30*	25	16	-	26	21	160-30	190	74	40
GN 808.3-25-B16-180-45*	25	16	-	26	21	180-45	225	74	40
GN 808.3-25-B16-200-70*	25	16	-	26	21	200-70	270	74	40
GN 808.3-25-B16-250-105*	25	16	-	26	21	250-105	355	74	40
GN 808.3-28-K14-170-30	28	14	-	29	13	170-30	200	60	40
GN 808.3-28-K14-200-60	28	14	-	29	13	200-60	260	60	40
GN 808.3-28-K14-220-80	28	14	-	29	13	220-80	300	60	40
GN 808.3-28-K14-280-140	28	14	-	29	13	280-140	420	60	40
GN 808.3-28-B14-170-30*	28	14	-	29	13	170-30	200	60	40
GN 808.3-28-B14-200-60*	28	14	-	29	13	200-60	260	60	40
GN 808.3-28-B14-220-80*	28	14	-	29	13	220-80	300	60	40
GN 808.3-28-B14-280-140*	28	14	-	29	13	280-140	420	60	40
GN 808.3-28-V14-170-30*	28	-	14x14	29	13	170-30	200	60	40
GN 808.3-28-V14-200-60*	28	-	14x14	29	13	200-60	260	60	40
GN 808.3-28-V14-220-80*	28	-	14x14	29	13	220-80	300	60	40
GN 808.3-28-V14-280-140*	28	-	14x14	29	13	280-140	420	60	40
GN 808.3-32-K16-190-30	32	16	-	32	16	190-30	220	68	40
GN 808.3-32-K16-240-80	32	16	-	32	16	240-80	320	68	40
GN 808.3-32-K16-275-115	32	16	-	32	16	275-115	390	68	40
GN 808.3-32-K16-380-210	32	16	-	32	16	380-210	590	68	40
GN 808.3-32-B16-190-30*	32	16	-	32	16	190-30	220	68	40
GN 808.3-32-B16-240-80*	32	16	-	32	16	240-80	320	68	40
GN 808.3-32-B16-275-115*	32	16	-	32	16	275-115	390	68	40
GN 808.3-32-B16-380-210*	32	16	-	32	16	380-210	590	68	40
GN 808.3-32-V16-190-30*	32	-	16x16	32	16	190-30	220	68	40
GN 808.3-32-V16-240-80*	32	-	16x16	32	16	240-80	320	68	40
GN 808.3-32-V16-275-115*	32	-	16x16	32	16	275-115	390	68	40
GN 808.3-32-V16-380-210*	32	-	16x16	32	16	380-210	590	68	40
GN 808.3-32-K20-190-30*	32	20	-	32	24	190-30	220	86	40
GN 808.3-32-K20-240-80*	32	20	-	32	24	240-80	320	86	40
GN 808.3-32-K20-275-115*	32	20	-	32	24	275-115	390	86	40
GN 808.3-32-K20-380-210*	32	20	-	32	24	380-210	590	86	40

\* For sufficient quantities



Standard Elements	Main dimensions								
	Description	D	d H7	s H11	d1	h min	L - l1	L1	l
GN 808.3-32-B20-190-30*	32	20	-	32	24	190-30	220	86	40
GN 808.3-32-B20-240-80*	32	20	-	32	24	240-80	320	86	40
GN 808.3-32-B20-275-115*	32	20	-	32	24	275-115	390	86	40
GN 808.3-32-B20-380-210*	32	20	-	32	24	380-210	590	86	40
GN 808.3-36-K18-230-50	36	18	-	37	17	230-50	280	74	40
GN 808.3-36-K18-270-100	36	18	-	37	17	270-100	370	74	40
GN 808.3-36-K18-290-110	36	18	-	37	17	290-110	400	74	40
GN 808.3-36-K18-400-220	36	18	-	37	17	400-220	620	74	40
GN 808.3-36-B18-230-50*	36	18	-	37	17	230-50	280	74	40
GN 808.3-36-B18-270-100*	36	18	-	37	17	270-100	370	74	40
GN 808.3-36-B18-290-110*	36	18	-	37	17	290-110	400	74	40
GN 808.3-36-B18-400-220*	36	18	-	37	17	400-220	620	74	40
GN 808.3-36-V18-230-50*	36	-	18x18	37	17	230-50	280	74	40
GN 808.3-36-V18-270-100*	36	-	18x18	37	17	270-100	370	74	40
GN 808.3-36-V18-290-110*	36	-	18x18	37	17	290-110	400	74	40
GN 808.3-36-V18-400-220*	36	-	18x18	37	17	400-220	620	74	40
GN 808.3-42-K20-250-50	42	20	-	42	18	250-50	300	82	45
GN 808.3-42-K20-320-120	42	20	-	42	18	320-120	440	82	45
GN 808.3-42-K20-420-220	42	20	-	42	18	420-220	640	82	45
GN 808.3-42-B20-250-50*	42	20	-	42	18	250-50	300	82	45
GN 808.3-42-B20-320-120*	42	20	-	42	18	320-120	440	82	45
GN 808.3-42-B20-420-220*	42	20	-	42	18	420-220	640	82	45
GN 808.3-42-V20-250-50*	42	-	20x20	42	18	250-50	300	82	45
GN 808.3-42-V20-320-120*	42	-	20x20	42	18	320-120	440	82	45
GN 808.3-42-V20-420-220*	42	-	20x20	42	18	420-220	640	82	45
GN 808.3-42-K25-250-50*	42	25	-	42	31	250-50	300	108	45
GN 808.3-42-K25-320-120*	42	25	-	42	31	320-120	440	108	45
GN 808.3-42-K25-420-220*	42	25	-	42	31	420-220	640	108	45
GN 808.3-42-B25-250-50*	42	25	-	42	31	250-50	300	108	45
GN 808.3-42-B25-320-120*	42	25	-	42	31	320-120	440	108	45
GN 808.3-42-B25-420-220*	42	25	-	42	31	420-220	640	108	45
GN 808.3-45-K22-270-50	45	22	-	47	22	270-50	320	95	50
GN 808.3-45-K22-330-100	45	22	-	47	22	330-100	430	95	50
GN 808.3-45-K22-470-240	45	22	-	47	22	470-240	710	95	50
GN 808.3-45-B22-270-50*	45	22	-	47	22	270-50	320	95	50
GN 808.3-45-B22-330-100*	45	22	-	47	22	330-100	430	95	50
GN 808.3-45-B22-470-240*	45	22	-	47	22	470-240	710	95	50
GN 808.3-45-V22-270-50*	45	-	22x22	47	22	270-50	320	95	50
GN 808.3-45-V22-330-100*	45	-	22x22	47	22	330-100	430	95	50
GN 808.3-45-V22-470-240*	45	-	22x22	47	22	470-240	710	95	50
GN 808.3-50-K25-295-50	50	25	-	52	26	295-50	345	108	50
GN 808.3-50-K25-350-100	50	25	-	52	26	350-100	450	108	50
GN 808.3-50-K25-420-170	50	25	-	52	26	420-170	590	108	50
GN 808.3-50-B25-295-50*	50	25	-	52	26	295-50	345	108	50
GN 808.3-50-B25-350-100*	50	25	-	52	26	350-100	450	108	50
GN 808.3-50-B25-420-170*	50	25	-	52	26	420-170	590	108	50
GN 808.3-50-V25-295-50*	50	-	25x25	52	26	295-50	345	108	50
GN 808.3-50-V25-350-100*	50	-	25x25	52	26	350-100	450	108	50
GN 808.3-50-V25-420-170*	50	-	25x25	52	26	420-170	590	108	50
GN 808.3-50-K30-295-50*	50	30	-	52	38	295-50	345	132	50
GN 808.3-50-K30-350-100*	50	30	-	52	38	350-100	450	132	50
GN 808.3-50-K30-420-170*	50	30	-	52	38	420-170	590	132	50
GN 808.3-50-B30-295-50*	50	30	-	52	38	295-50	345	132	50
GN 808.3-50-B30-350-100*	50	30	-	52	38	350-100	450	132	50
GN 808.3-50-B30-420-170*	50	30	-	52	38	420-170	590	132	50
GN 808.3-58-K30-330-50	50	30	-	58	29	330-50	380	122	60
GN 808.3-58-K30-400-110	50	30	-	58	29	400-110	510	122	60
GN 808.3-58-B30-330-50*	50	30	-	58	29	330-50	380	122	60
GN 808.3-58-B30-400-110*	50	30	-	58	29	400-110	510	122	60
GN 808.3-58-V30-330-50*	50	-	30x30	58	29	330-50	380	122	60
GN 808.3-58-V30-400-110*	50	-	30x30	58	29	400-110	510	122	60

\* For sufficient quantities