

GN 919

Hubs with eccentric cam

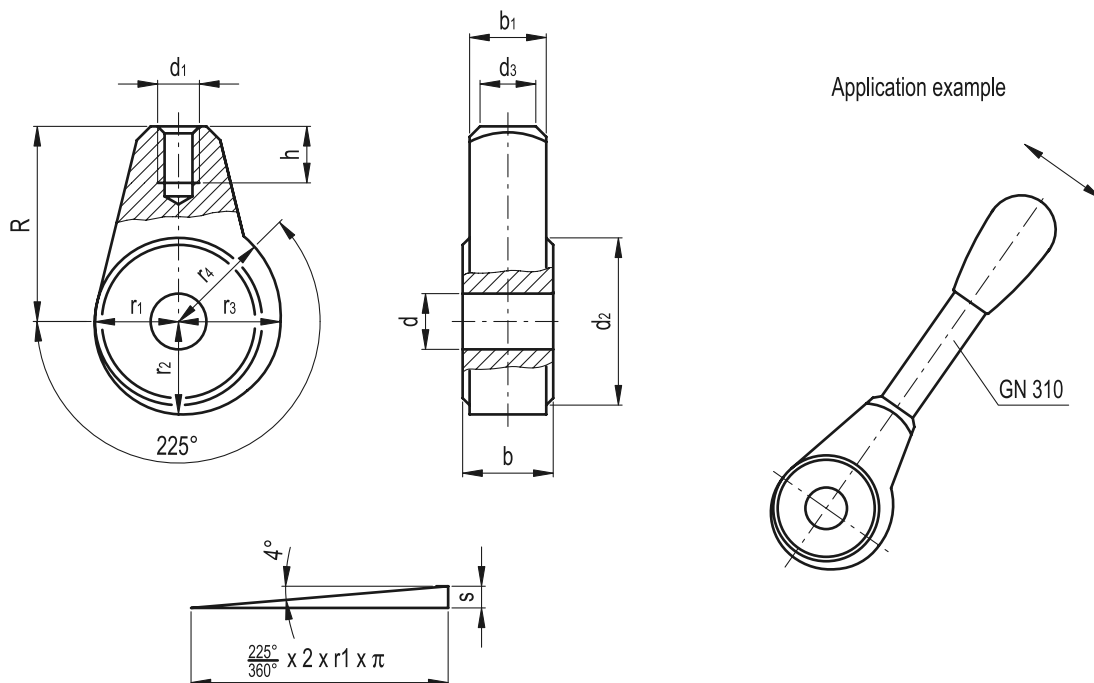


- **Material**

Sintered and case-hardened black-oxide steel.

- **Applications**

GN 919 hubs with eccentric cam are used for adjusting and clamping operations.



Standard Elements	Main dimensions												⚖	
Description	d ₂	d _{H9}	^{-0.05} b-0.15	b ₁	d ₁	d ₃	R	r ₁	r ₂	r ₃	r ₄	s	h	g
GN 919-24-B8	24	8	13	11	M6	8	28	12	13.32	14.64	15.3	3.3	9	59
GN 919-30-B10	30	10	15	13	M8	10	32	15	16.65	18.3	19.12	4.1	12	100
GN 919-35-B12	35	12	17	15	M10	12	36	17.5	19.42	21.34	22.31	4.8	15	150