

GN 917

Double cam levers

- **Body**
Black-oxide steel, ST52-3.
- **King pin**
Tempered AISI 420 stainless steel.
- **Circlip**
AISI 301 stainless steel.
- **Plastic handle sleeve**
Red colour, oil resistant. Max. working temperature 60°C.

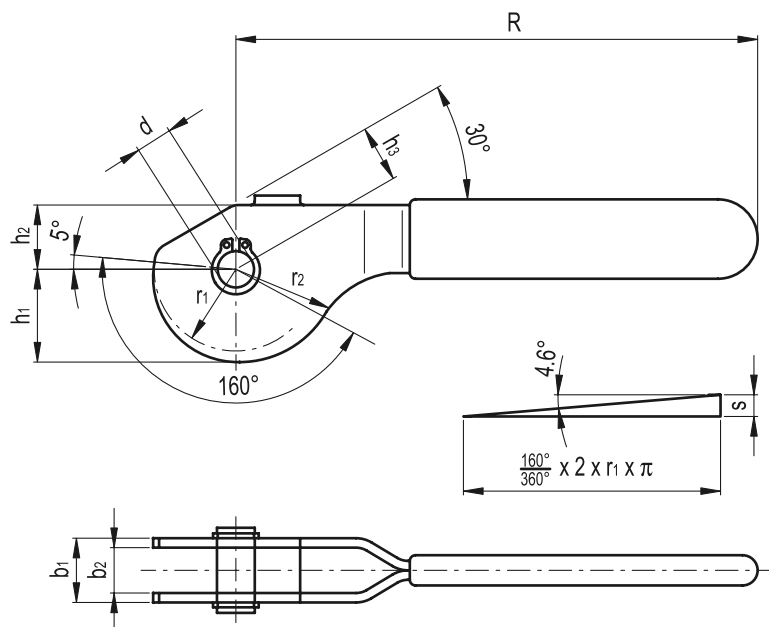
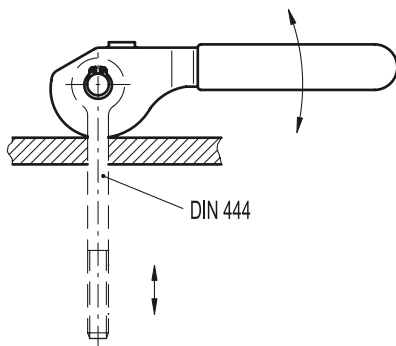
Features and applications

GN 917 are used for repositioning and clamping operations. The eccentric cam is designed in such a way that the clamping force remains constant in every position of its action. It is self-locking.

The dimension b2 is made to match the head size of swing bolts DIN 444 (see page 608).



Application example



Standard Elements	Main dimensions											Δ	
	Description	d	b1	b2	h1	h2	h3	R	r1	r2	s		r2 - h3
GN 917-8-13		8	13	9	19.54	14	12	114	17.2	21.07	3.87	9.07	85
GN 917-10-17		10	17	12	24.54	17	15	138	21.6	26.45	4.85	11.45	170
GN 917-12-20		12	20	14	31.81	21	18	157	28	34.29	6.29	16.29	273



elessa+GANter

ELESA and GANTER models all rights reserved in accordance with the law. Always mention the source when reproducing our drawings.