

Double cam levers

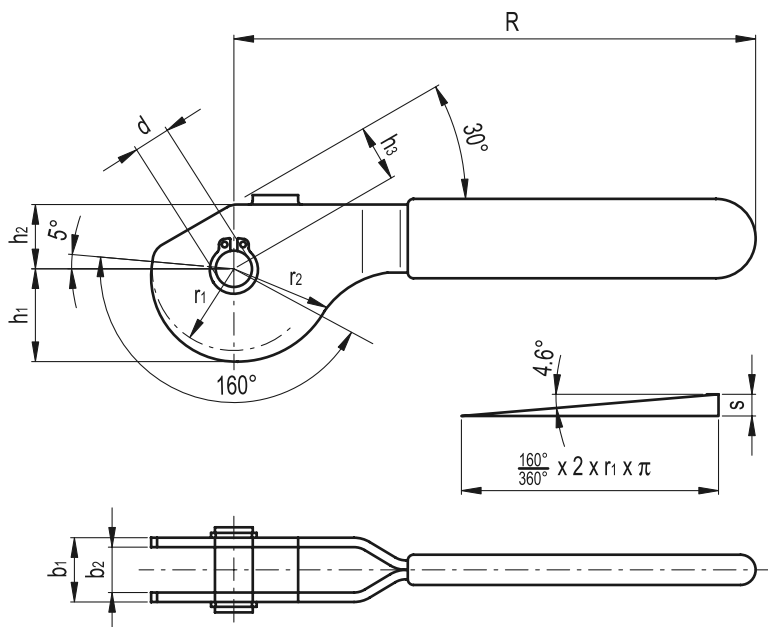
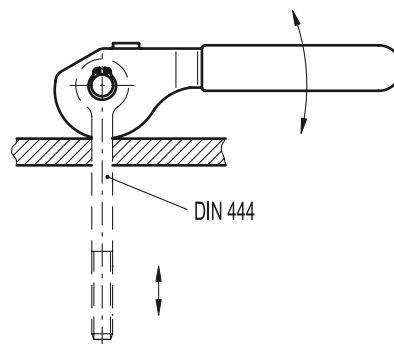


- **Material**
AISI 304 stainless steel, sandblasted matte finish.
- **King pin**
Tempered AISI 420 stainless steel.
- **Circlip**
AISI 301 stainless steel.
- **Plastic handle sleeve**
Red colour, oil resistant. Max working temperature 60°C.

Features and applications

Double cam levers GN 917.1 are used for repositioning and clamping. The eccentric cam has the advantage that the clamping force remains constant in every position of its travel and in addition is self locking. The dimension b2 is made to match the head size of swing bolts DIN 444 (see page 608) respectively.

Application example



Standard Elements	Main dimensions											△
Description	d	b1	b2	h1	h2	h3	R	r1	r2	s	r2 - h3	g
GN 917.1-8-13	8	13	9	19.54	14	12	114	17.2	21.07	3.87	9.07	86
GN 917.1-10-17	10	17	12	24.54	17	17	138	21.6	26.45	4.85	11.45	165
GN 917.1-12-20	12	20	14	31.81	21	21	157	28	34.29	6.29	16.29	272