



Levelling sets

- **Material**

- Execution **ST**: zinc-plated steel.
- Execution **NI**: AISI 303 stainless steel.

- **Standard executions available**

- Execution **A**: without locknut.
- Execution **AK**: with locknut.

F1: max. total load.

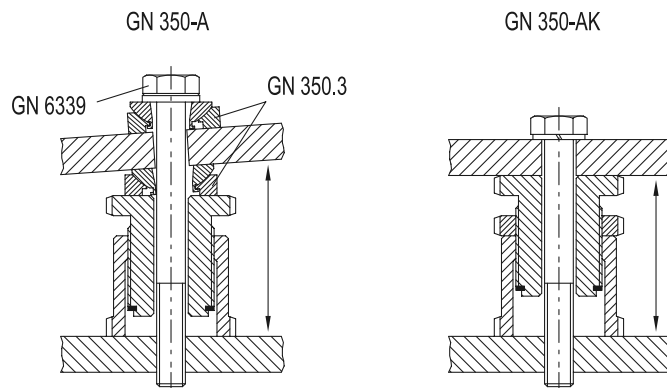
F2: max. load after deduction of the max. preload for screws 8.8, $\mu = 0,125$ (Steel) and for screws 6.8, $\mu = 0,14$ (Stainless steel).

Applications

Levelling sets GN 350 are used for levelling and linking operations. They comprise a threaded upper sleeve and a female threaded lower sleeve. The fine thread allows a stepless and precise setting and locking using the C-Spanner DIN 1810. An anti-rotation disc serves also as a height limiter for the max. height.

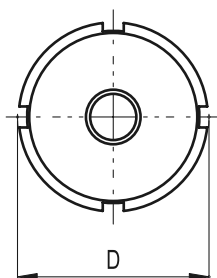
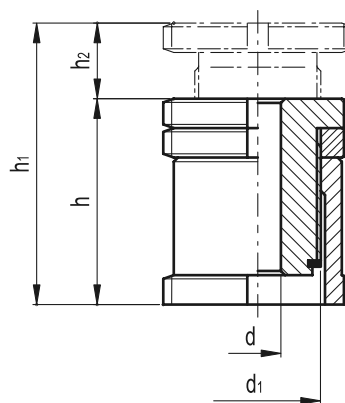
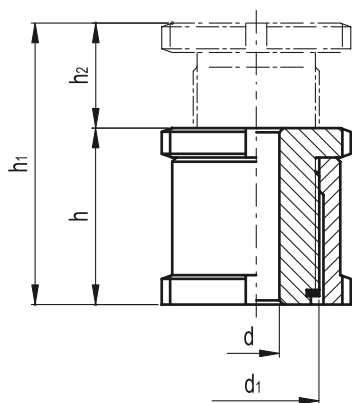
Normally this screw is permanently and securely locked by the static load created when the mounting screw is tightened. Should this not be sufficient, the use of a locknut (Execution AK) is recommended.

Application examples



GN 350-A

GN 350-AK



Standard Elements	Main dimensions						Static load		for screw	g	C-Spanner DIN 1810
	Description	D	d	d ₁	h	h ₁	h ₂	Max. load F ₁ [KN]			
GN 350-25-6.6-A-ST	25	6.6	M15x1	28	43	15	40	30.7	M6	68	A25-28
GN 350-32-6.6-A-ST	32	6.6	M20x1	35	55	20	65	55.7	M6	161	A30-32
GN 350-32-9-A-ST	32	9	M20x1	35	55	20	65	48	M8	152	A30-32
GN 350-32-11-A-ST	32	11	M20x1	35	55	20	65	37.9	M10	144	A30-32
GN 350-45-11-A-ST	45	11	M30x1	42	67	25	120	92.9	M10	372	A45-50
GN 350-45-13.5-A-ST	45	13.5	M30x1	42	67	25	120	80.4	M12	349	A45-50
GN 350-45-17.5-A-ST	45	17.5	M30x1	42	67	25	120	45.5	M16	318	A45-50
GN 350-58-17.5-A-ST	58	17.5	M40x1	54	86	32	210	136	M16	782	A58-62
GN 350-58-22-A-ST	58	22	M40x1	54	86	32	210	90	M20	730	A58-62
GN 350-58-26-A-ST	58	26	M40x1	54	86	32	210	37	M24	666	A58-62
GN 350-70-22-A-ST	70	22	M50x1.5	66	106	40	330	210	M20	1440	A68-75
GN 350-70-26-A-ST	70	26	M50x1.5	66	106	40	330	157	M24	1360	A68-75
GN 350-70-33-A-ST	70	33	M50x1.5	66	106	40	330	53	M30	1200	A68-75
GN 350-80-26-A-ST	80	26	M60x2	76	126	50	495	322	M24	2167	A80-90
GN 350-80-33-A-ST	80	33	M60x2	76	126	50	495	218	M30	1862	A80-90
GN 350-80-39-A-ST	80	39	M60x2	76	126	50	495	101	M36	1671	A80-90
GN 350-25-6.6-AK-ST	25	6.6	M15x1	33	43	10	40	30.7	M6	78	A25-28
GN 350-32-6.6-AK-ST	32	6.6	M20x1	41	55	14	65	55.7	M6	179	A30-32
GN 350-32-9-AK-ST	32	9	M20x1	41	55	14	65	48	M8	172	A30-32
GN 350-32-11-AK-ST	32	11	M20x1	41	55	14	65	37.9	M10	166	A30-32
GN 350-45-11-AK-ST	45	11	M30x1	49	67	18	120	92.9	M10	409	A45-50
GN 350-45-13.5-AK-ST	45	13.5	M30x1	49	67	18	120	80.4	M12	393	A45-50
GN 350-45-17.5-AK-ST	45	17.5	M30x1	49	67	18	120	45.5	M16	365	A45-50
GN 350-58-17.5-AK-ST	58	17.5	M40x1	63	86	23	210	136	M16	882	A58-62
GN 350-58-22-AK-ST	58	22	M40x1	63	86	23	210	90	M20	823	A58-62
GN 350-58-26-AK-ST	58	26	M40x1	63	86	23	210	37	M24	762	A58-62
GN 350-70-22-AK-ST	70	22	M50x1.5	77	106	29	330	210	M20	1595	A68-75
GN 350-70-26-AK-ST	70	26	M50x1.5	77	106	29	330	157	M24	1516	A68-75
GN 350-70-33-AK-ST	70	33	M50x1.5	77	106	29	330	53	M30	1344	A68-75
GN 350-80-26-AK-ST	80	26	M60x2	87	126	39	495	322	M24	2340	A80-90
GN 350-80-33-AK-ST	80	33	M60x2	87	126	39	495	218	M30	2140	A80-90
GN 350-80-39-AK-ST	80	39	M60x2	87	126	39	495	101	M36	1840	A80-90
GN 350-25-6.6-A-NI	25	6.6	M15x1	28	43	15	27.1	20.3	M6	69	A25-28
GN 350-32-6.6-A-NI	32	6.6	M20x1	35	55	20	43.4	36.6	M6	163	A30-32
GN 350-32-9-A-NI	32	9	M20x1	35	55	20	43.4	30.9	M8	154	A30-32
GN 350-32-11-A-NI	32	11	M20x1	35	55	20	43.4	23.4	M10	145	A30-32
GN 350-45-11-A-NI	45	11	M30x1	42	67	25	84	64	M10	338	A45-50
GN 350-45-13.5-A-NI	45	13.5	M30x1	42	67	25	84	54.8	M12	335	A45-50
GN 350-45-17.5-A-NI	45	17.5	M30x1	42	67	25	84	28.9	M16	320	A45-50
GN 350-58-17.5-A-NI	58	17.5	M40x1	54	86	32	148	92.9	M16	791	A58-62
GN 350-58-22-A-NI	58	22	M40x1	54	86	32	148	59.1	M20	733	A58-62
GN 350-58-26-A-NI	58	26	M40x1	54	86	32	148	20.3	M24	668	A58-62
GN 350-70-22-A-NI	70	22	M50x1.5	66	106	40	225	136.1	M20	1452	A68-75
GN 350-70-26-A-NI	70	26	M50x1.5	66	106	40	225	97.3	M24	1370	A68-75
GN 350-70-33-A-NI	70	33	M50x1.5	66	106	40	225	20.6	M30	1210	A68-75
GN 350-80-26-A-NI	80	26	M60x2	76	126	50	323	195.3	M24	2180	A80-90
GN 350-80-33-A-NI	80	33	M60x2	76	126	50	323	118.6	M30	1875	A80-90
GN 350-80-39-A-NI	80	39	M60x2	76	126	50	323	38.2	M36	1683	A80-90
GN 350-25-6.6-AK-NI	25	6.6	M15x1	33	43	10	27.1	20.3	M6	79	A25-28
GN 350-32-6.6-AK-NI	32	6.6	M20x1	41	55	14	43.4	36.6	M6	181	A30-32
GN 350-32-9-AK-NI	32	9	M20x1	41	55	14	43.4	30.9	M8	174	A30-32
GN 350-32-11-AK-NI	32	11	M20x1	41	55	14	43.4	23.4	M10	167	A30-32
GN 350-45-11-AK-NI	45	11	M30x1	49	67	18	84	64	M10	411	A45-50
GN 350-45-13.5-AK-NI	45	13.5	M30x1	49	67	18	84	54.8	M12	405	A45-50
GN 350-45-17.5-AK-NI	45	17.5	M30x1	49	67	18	84	28.9	M16	377	A45-50
GN 350-58-17.5-AK-NI	58	17.5	M40x1	63	86	23	148	92.9	M16	893	A58-62
GN 350-58-22-AK-NI	58	22	M40x1	63	86	23	148	59.1	M20	834	A58-62
GN 350-58-26-AK-NI	58	26	M40x1	63	86	23	148	20.3	M24	775	A58-62
GN 350-70-22-AK-NI	70	22	M50x1.5	77	106	29	225	136.1	M20	1607	A68-75
GN 350-70-26-AK-NI	70	26	M50x1.5	77	106	29	225	97.3	M24	1426	A68-75
GN 350-70-33-AK-NI	70	33	M50x1.5	77	106	29	225	20.6	M30	1354	A68-75
GN 350-80-26-AK-NI	80	26	M60x2	87	126	39	323	195.3	M24	2356	A80-90
GN 350-80-33-AK-NI	80	33	M60x2	87	126	39	323	118.6	M30	2155	A80-90
GN 350-80-39-AK-NI	80	39	M60x2	87	126	39	323	38.2	M36	1852	A80-90