

## Bezel discs

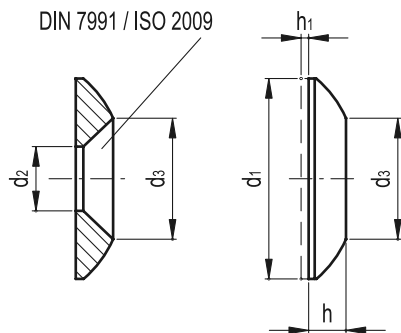
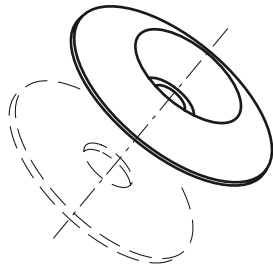
- **Material**  
AISI 303 stainless steel, shot-blasted matte finish.
- **Plastic disc**  
Polyamide based (PA) technopolymer, white colour.

### Features and applications

Bezel discs GN 185 are used for shrouding screw joints when a visually nice finish is required. The purpose of the plastic discs supplied as a standard item on delivery is merely to avoid damage to improved surfaces. Bezel discs are supplied in packs of 10 pieces per size.



Assembly example



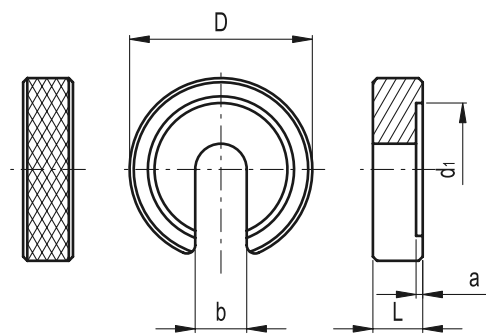
Standard Elements	Main dimensions					$\triangle$	Countersunk DIN 7991/ ISO 2009
Description	d <sub>1</sub>	d <sub>2</sub>	d <sub>3</sub>	h	h <sub>1</sub>	g	
GN 185-18-NI	18	4.3	8.5	3	0.8	4	M4
GN 185-20-NI	20	5.3	10.3	3.5	1	5	M5
GN 185-22-NI	22	6.4	12.3	4	1	7	M6
GN 185-26-NI	26	8.4	16.4	5	1	12	M8

## C-shaped washers

- **Material**  
Case-hardened and black-oxide steel.

### Features

GN 183 C-shaped washers are suitable for assembly on parts to be machined without removing the nut from the screw.



Standard Elements	Main dimensions					For threadings	$\triangle$
	Description	D	L	b	d <sub>1</sub>		a
GN 183-22-6.2	22	6	6.2	16	0.8	M6	13
GN 183-28-6.2	28	6	6.2	16	1	M6	21
GN 183-28-8.3	28	7	8.3	21	1	M8	23
GN 183-34-8.3	34	7	8.3	21	1.2	M8	35
GN 183-34-10.4	34	8	10.4	25	1.2	M10	38
GN 183-40-10.4	40	8	10.4	30	1.8	M10	53
GN 183-40-12.5	40	9	12.5	30	1.8	M12	57
GN 183-56-12.5	56	9	12.5	37	1.8	M12	126
GN 183-56-16.5	56	12	16.5	37	1.8	M16	161