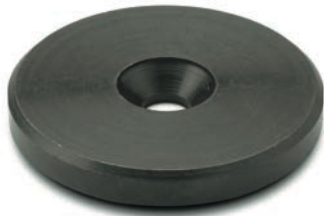


## Washers for countersunk head screws

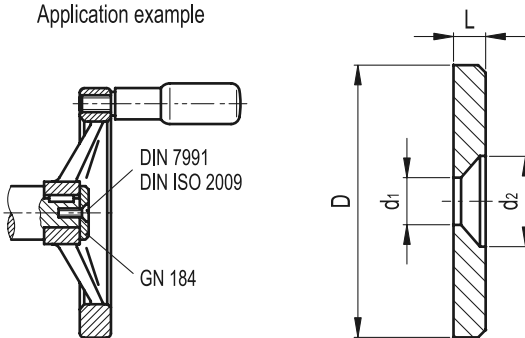
- **Material**  
Turned and black-oxide steel.

### Applications

GN 184 washers are generally used on shafts to fit handwheels.



Application example



Standard Elements Description	Main dimensions				Countersunk screws DIN 7991 DIN ISO 2009	⚖ g
	D	L	d <sub>1</sub>	d <sub>2</sub>		
GN 184-16	16	3	4.3	8	M4	4
GN 184-20	20	3	4.3	8	M4	6
GN 184-22	22	3.5	5.3	10	M5	9
GN 184-25	25	3.5	5.3	10	M5	12
GN 184-28	28	3.5	5.3	10	M5	15
GN 184-32	32	4	6.4	12	M6	21
GN 184-36	36	4	6.4	12	M6	30
GN 184-40	40	5	6.4	12	M6	45
GN 184-45	45	6	6.4	12	M6	70
GN 184-52	52	6	6.4	12	M6	94

## Washers for countersunk head screws

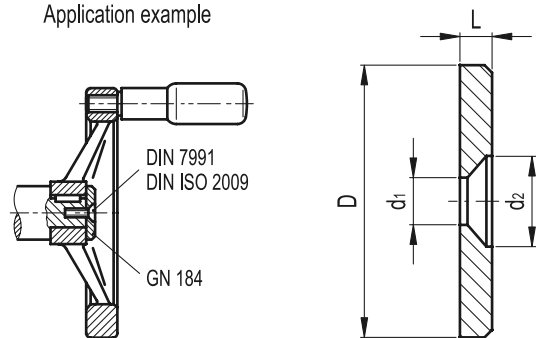
- **Material**  
AISI 303 stainless steel, sandblasted matte finish.

### Features and applications

GN 184.5 washers are generally used on shafts to fit handwheels. AISI 303 stainless steel, thanks to its high resistance to corrosion, allows the application of these washers on machines and equipment in those sectors where laws or particular hygienic, climatic and environmental factors make it mandatory to use corrosion resistant materials.



Application example



Standard Elements Description	Main dimensions				Countersunk screws DIN 7991 DIN ISO 2009	⚖ g
	D	L	d <sub>1</sub>	d <sub>2</sub>		
GN 184.5-16	16	3	4.3	8	M4	4
GN 184.5-20	20	3	4.3	8	M4	6
GN 184.5-22	22	3.5	5.3	10	M5	9
GN 184.5-25	25	3.5	5.3	10	M5	12
GN 184.5-28	28	3.5	5.3	10	M5	15
GN 184.5-32	32	4	6.4	12	M6	21
GN 184.5-36	36	4	6.4	12	M6	30
GN 184.5-40	40	5	6.4	12	M6	45
GN 184.5-45	45	6	6.4	12	M6	70
GN 184.5-52	52	6	6.4	12	M6	94