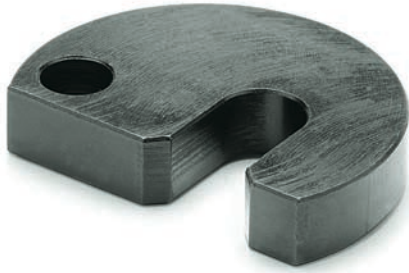


DIN 6371

Captive C-shaped washers

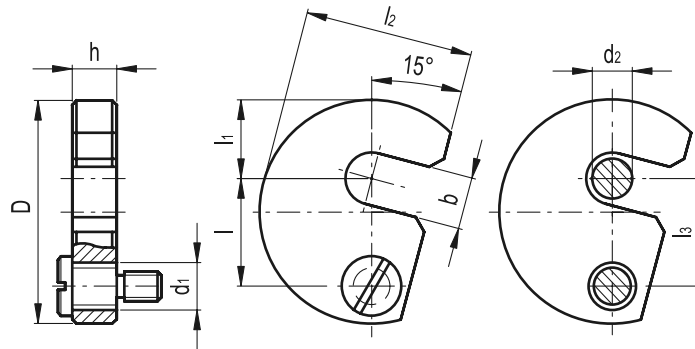


- **Material**

Tempered black-oxide steel body with DIN 923 flat shoulder screw in black-oxide steel.

- **Features and applications**

DIN 6371 captive C-shaped washers transfer the clamping force of screw or nut to the workpiece. After releasing the thread they can be swung away from the clamping point. They are hinged and thus can never be mislaid.



Standard Elements	Main dimensions									Screw DIN 923	g
	D	b	d ₁	d ₂	l	l ₁	l ₂	l ₃	h -0.5		
DIN 6371-38-7.5	38	7.5	9	6	19.6	11	29	19	9.8	M6x10	64
DIN 6371-43-9.5	43	9.5	9	8	21.6	14	32.5	21	9.8	M6x10	80
DIN 6371-48-11.5	48	11.5	9	10	23.6	17	36.5	23	9.8	M6x10	99
DIN 6371-61-13.5	61	13.5	11	12	29.6	22	45	29	11.8	M8x12	189
DIN 6371-68-17.5	68	17.5	11	16	33.6	25	50	33	11.8	M8x12	226
DIN 6371-74-21.5	74	21.5	11	20	36.6	28	55	36	11.8	M8x12	262
DIN 6371-82-25.5	82	25.5	11	24	40.6	32	62	40	15.8	M8x16	423
DIN 6371-97-32	97	32	11	30	49	39	73	48	15.8	M8x16	560