

DIN 582 DIN 582-NI

Lifting female eye bolts



• Material

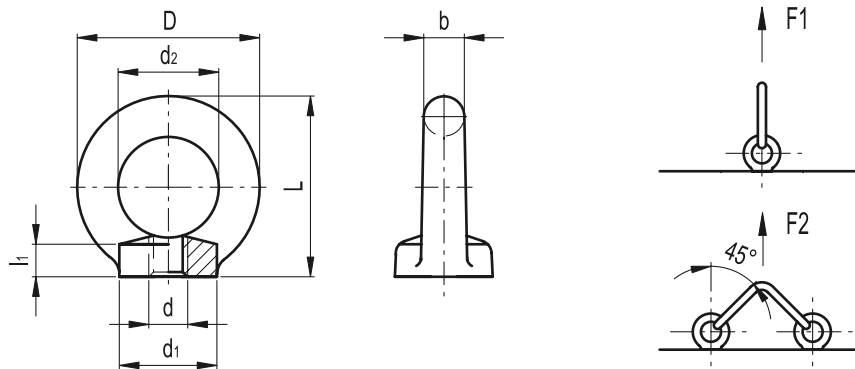
- Execution **ST**: forged steel annealed body, zinc-plated blue passivated, machined contact face.
- Execution **NI**: forged AISI 304 stainless steel annealed body, machined contact face, passivated.

Features and applications

When installing DIN 582 female lifting eye bolts it is of utmost importance to ensure that the face is in firm contact with the mating face.

The values indicated in the here-under table are only applicable when the thread length of the bolt is $0.8 \times d$ and when the tensile strength do not exceed 500 N/mm^2 .

Do not apply load across the face of the ring.



Standard Elements		Main dimensions						Mounting hole	F1	F2	\triangle	
Description	Description	D	L	b	d1	d2	l1	d	[N]	[N]	g	g#
DIN 582-M8-ST	DIN 582-M8-NI	36	36	8	20	20	8.5	M8	1400	1000	50	51
DIN 582-M10-ST	DIN 582-M10-NI	45	45	10	25	25	10	M10	2300	1700	90	91
DIN 582-M12-ST	DIN 582-M12-NI	54	53	12	30	30	11	M12	3400	2400	160	162
DIN 582-M16-ST	DIN 582-M16-NI	63	62	14	35	35	13	M16	7000	5000	240	243
DIN 582-M20-ST	DIN 582-M20-NI	72	71	16	40	40	16	M20	12000	8600	360	364
DIN 582-M24-ST	DIN 582-M24-NI	90	90	20	50	50	20	M24	18000	12500	720	727
DIN 582-M30-ST	-	108	109	24	65	60	25	M30	32000	23000	1320	-
DIN 582-M36-ST	-	126	128	28	75	70	30	M36	46000	33000	2080	-

values for DIN 582-NI