

# GN 606



## Set screws with ball terminal

### • Material

Black-oxide steel, hexagon socket head.

### • Ball

Hardened steel.

- Execution **A**: full ball for applications requiring a single contact point.

- Execution **B**: reversible flat-faced ball for fitting non-parallel surfaces.

- Execution **V**: non-reversible flat-faced ball.

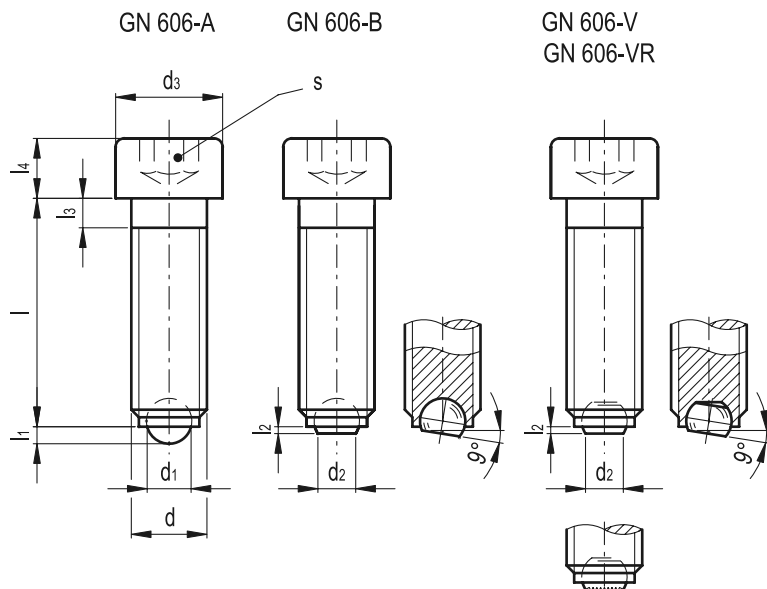
- Execution **VR**: non-reversible knurled flat-faced ball.

Maximum ball plane inclination for flat-faced balls = 9°.

### Applications

GN 606 set screws with ball terminal are suitable for locking or supporting pieces to be machined.

Executions V and VR ensure that clamping is always maintained on the flat section of the ball.



Standard Elements	Main dimensions										△
Description	d	d1	d2	d3	l	l1~	l2~	l3	l4	s	g
GN 606-M4-10.*	M4	2.5	1.8	7	10	0.8	0.4	2.1	4	3	1
GN 606-M4-12.*	M4	2.5	1.8	7	12	0.8	0.4	2.1	4	3	1
GN 606-M4-16.*	M4	2.5	1.8	7	16	0.8	0.4	2.1	4	3	2
GN 606-M4-20.*	M4	2.5	1.8	7	20	0.8	0.4	2.1	4	3	3
GN 606-M4-25.*	M4	2.5	1.8	7	25	0.8	0.4	2.1	4	3	4
GN 606-M5-12.*	M5	3	2	8.5	12	0.9	0.5	2.4	5	4	2
GN 606-M5-16.*	M5	3	2	8.5	16	0.9	0.5	2.4	5	4	3
GN 606-M5-20.*	M5	3	2	8.5	20	0.9	0.5	2.4	5	4	4
GN 606-M5-25.*	M5	3	2	8.5	25	0.9	0.5	2.4	5	4	5
GN 606-M5-30.*	M5	3	2	8.5	30	0.9	0.5	2.4	5	4	6
GN 606-M6-16.*	M6	4	3.2	10	16	1.4	0.6	3	6	5	5
GN 606-M6-20.*	M6	4	3.2	10	20	1.4	0.6	3	6	5	6
GN 606-M6-25.*	M6	4	3.2	10	25	1.4	0.6	3	6	5	7
GN 606-M6-30.*	M6	4	3.2	10	30	1.4	0.6	3	6	5	8
GN 606-M6-40.*	M6	4	3.2	10	40	1.4	0.6	3	6	5	10
GN 606-M8-20.*	M8	5.5	4.2	13	20	1.7	0.7	3.5	8	6	13
GN 606-M8-30.*	M8	5.5	4.2	13	30	1.7	0.7	3.5	8	6	15
GN 606-M8-35.*	M8	5.5	4.2	13	35	1.7	0.7	3.5	8	6	17
GN 606-M8-40.*	M8	5.5	4.2	13	40	1.7	0.7	3.5	8	6	19
GN 606-M8-50.*	M8	5.5	4.2	13	50	1.7	0.7	3.5	8	6	23
GN 606-M10-25.*	M10	7	5.7	16	25	2.3	0.8	4.5	10	8	25
GN 606-M10-30.*	M10	7	5.7	16	30	2.3	0.8	4.5	10	8	27
GN 606-M10-40.*	M10	7	5.7	16	40	2.3	0.8	4.5	10	8	31
GN 606-M10-50.*	M10	7	5.7	16	50	2.3	0.8	4.5	10	8	37
GN 606-M10-60.*	M10	7	5.7	16	60	2.3	0.8	4.5	10	8	44
GN 606-M12-30.*	M12	8	7.1	18	30	2.8	0.9	5	12	10	38
GN 606-M12-50.*	M12	8	7.1	18	50	2.8	0.9	5	12	10	54
GN 606-M12-80.*	M12	8	7.1	18	80	2.8	0.9	5	12	10	80
GN 606-M16-40.*	M16	12	9.7	24	40	4	1.5	6	16	14	92
GN 606-M16-60.*	M16	12	9.7	24	60	4	1.5	6	16	14	123
GN 606-M16-80.*	M16	12	9.7	24	80	4	1.5	6	16	14	151

\*Complete the description of the standard item needed by adding the ball execution: A (full ball), B (flat-faced ball), V (non-reversible flat-faced ball), VR (non-reversible knurled flat-faced ball).