

Set screws with ball terminal

• Material

AISI 304 stainless steel, hexagon socket head.

• Ball

Hardened stainless steel.

- Execution **AN**: full ball for applications requiring a single contact point.

- Execution **BN**: reversible flat-faced ball for fitting non-parallel surfaces.

- Execution **VN**: non-reversible flat-faced ball.

- Execution **VRN**: non-reversible knurled flat-faced ball.

Maximum ball plane inclination for flat-faced balls = 9°.

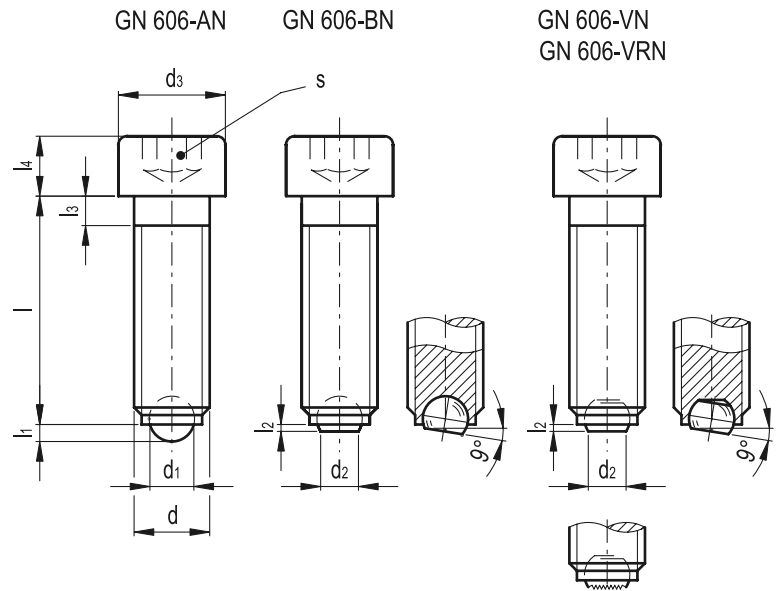


Features and applications

GN 606-NI set screws with ball terminal are suitable for locking or supporting pieces to be machined.

Executions V and VR ensure that clamping is always maintained on the flat section of the ball.

Stainless steel, thanks to its high resistance to corrosion, allows the application of these set screws on machines and equipment in those sectors where laws or particular hygienic, climatic and environmental factors make it mandatory to use corrosion resistant materials.



Standard Elements	Main dimensions										△/△
	Description	d	d1	d2	d3	l	l1~	l2~	l3	l4	
GN 606-M4-10-*	M4	2.5	1.8	7	10	0.8	0.4	2.1	4	3	1
GN 606-M4-12-*	M4	2.5	1.8	7	12	0.8	0.4	2.1	4	3	1
GN 606-M4-16-*	M4	2.5	1.8	7	16	0.8	0.4	2.1	4	3	2
GN 606-M4-20-*	M4	2.5	1.8	7	20	0.8	0.4	2.1	4	3	3
GN 606-M4-25-*	M4	2.5	1.8	7	25	0.8	0.4	2.1	4	3	4
GN 606-M5-12-*	M5	3	2	8.5	12	0.9	0.5	2.4	5	4	2
GN 606-M5-16-*	M5	3	2	8.5	16	0.9	0.5	2.4	5	4	3
GN 606-M5-20-*	M5	3	2	8.5	20	0.9	0.5	2.4	5	4	4
GN 606-M5-25-*	M5	3	2	8.5	25	0.9	0.5	2.4	5	4	5
GN 606-M5-30-*	M5	3	2	8.5	30	0.9	0.5	2.4	5	4	6
GN 606-M6-16-*	M6	4	3.2	10	16	1.4	0.6	3	6	5	5
GN 606-M6-20-*	M6	4	3.2	10	20	1.4	0.6	3	6	5	6
GN 606-M6-25-*	M6	4	3.2	10	25	1.4	0.6	3	6	5	7
GN 606-M6-30-*	M6	4	3.2	10	30	1.4	0.6	3	6	5	8
GN 606-M6-40-*	M6	4	3.2	10	40	1.4	0.6	3	6	5	10
GN 606-M8-20-*	M8	5.5	4.2	13	20	1.7	0.7	3.5	8	6	13
GN 606-M8-30-*	M8	5.5	4.2	13	30	1.7	0.7	3.5	8	6	15
GN 606-M8-35-*	M8	5.5	4.2	13	35	1.7	0.7	3.5	8	6	17
GN 606-M8-40-*	M8	5.5	4.2	13	40	1.7	0.7	3.5	8	6	19
GN 606-M8-50-*	M8	5.5	4.2	13	50	1.7	0.7	3.5	8	6	23
GN 606-M10-25-*	M10	7	5.7	16	25	2.3	0.8	4.5	10	8	25
GN 606-M10-30-*	M10	7	5.7	16	30	2.3	0.8	4.5	10	8	27
GN 606-M10-40-*	M10	7	5.7	16	40	2.3	0.8	4.5	10	8	31
GN 606-M10-50-*	M10	7	5.7	16	50	2.3	0.8	4.5	10	8	37
GN 606-M10-60-*	M10	7	5.7	16	60	2.3	0.8	4.5	10	8	44
GN 606-M12-30-*	M12	8	7.1	18	30	2.8	0.9	5	12	10	38
GN 606-M12-50-*	M12	8	7.1	18	50	2.8	0.9	5	12	10	54
GN 606-M12-80-*	M12	8	7.1	18	80	2.8	0.9	5	12	10	80
GN 606-M16-40-*	M16	12	9.7	24	40	4	1.5	6	16	14	92
GN 606-M16-60-*	M16	12	9.7	24	60	4	1.5	6	16	14	123
GN 606-M16-80-*	M16	12	9.7	24	80	4	1.5	6	16	14	151

*Complete the description of the standard item needed by adding the ball execution: AN (full ball), BN (flat-faced ball), VN (non-reversible flat-faced ball), VRN (non-reversible knurled flat-faced ball).