

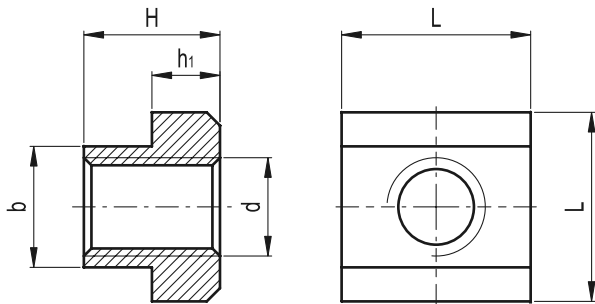
T-Nuts

• Material

- Execution **8**: blank steel, class 8 (tensile strength 800 N/mm²).
- Execution **10**: black-oxide steel, class 10 (tensile strength 1000 N/mm²).

Applications

DIN 508 T-nuts combined with DIN 6379 studs provide T-slot bolts.



T-Nuts

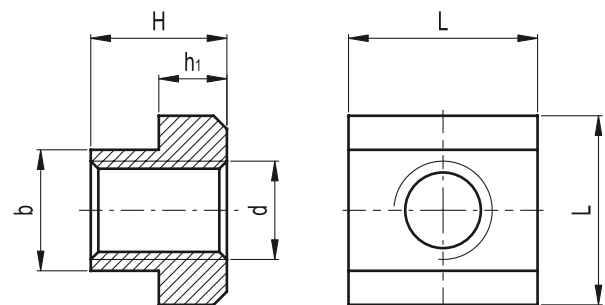
• Material

AISI 303 stainless steel.

Features and applications

Stainless steel, thanks to its high resistance to corrosion, allows the application of these T-nuts on machines and equipment in those sectors where laws or particular hygienic, climatic and environmental factors make it mandatory to use corrosion resistant materials.

Standard Elements	Main dimensions					Groove width DIN 650	△△
	Description	b ^{-0.3} -0.5	L	H	d		
DIN 508-5-M4-8	5	9-0.5	6.5	M4	3-0.3	5	2
DIN 508-5-M4-10	5	9-0.5	6.5	M4	3-0.3	5	2
DIN 508-6-M5-8	6	10-0.5	8	M5	4-0.5	6	4
DIN 508-6-M5-10	6	10-0.5	8	M5	4-0.5	6	4
DIN 508-8-M6-8	8	13-0.5	10	M6	6-0.5	8	9
DIN 508-8-M6-10	8	13-0.5	10	M6	6-0.5	8	9
DIN 508-10-M6-8	10	15-0.5	12	M6	6-0.5	10	14
DIN 508-10-M6-10	10	15-0.5	12	M6	6-0.5	10	14
DIN 508-10-M8-8	10	15-0.5	12	M8	6-0.5	10	12
DIN 508-10-M8-10	10	15-0.5	12	M8	6-0.5	10	12
DIN 508-12-M10-8	12	18-0.5	14	M10	7-0.5	12	20
DIN 508-12-M10-10	12	18-0.5	14	M10	7-0.5	12	20
DIN 508-14-M12-8	14	22-0.5	16	M12	8-0.5	14	34
DIN 508-14-M12-10	14	22-0.5	16	M12	8-0.5	14	34
DIN 508-16-M12-8	16	25-0.5	18	M12	9-0.5	16	55
DIN 508-16-M12-10	16	25-0.5	18	M12	9-0.5	16	55
DIN 508-16-M14-8	16	25-0.5	18	M14	9-0.5	16	51
DIN 508-16-M14-10	16	25-0.5	18	M14	9-0.5	16	51
DIN 508-18-M16-8	18	28-0.5	20	M16	10-0.5	18	69
DIN 508-18-M16-10	18	28-0.5	20	M16	10-0.5	18	69
DIN 508-20-M16-8	20	32-0.5	24	M16	12-0.5	20	116
DIN 508-20-M16-10	20	32-0.5	24	M16	12-0.5	20	116
DIN 508-20-M18-8	20	32-0.5	24	M18	12-0.5	20	110
DIN 508-20-M18-10	20	32-0.5	24	M18	12-0.5	20	110
DIN 508-22-M20-8	22	35-0.5	28	M20	14-0.5	22	149
DIN 508-22-M20-10	22	35-0.5	28	M20	14-0.5	22	149
DIN 508-24-M22-8	24	40-0.5	32	M22	16-0.5	24	228
DIN 508-24-M22-10	24	40-0.5	32	M22	16-0.5	24	228
DIN 508-28-M24-8	28	44-1	36	M24	18-1	28	314
DIN 508-28-M24-10	28	44-1	36	M24	18-1	28	314



Standard Elements	Main dimensions					Groove width DIN 650	△△
	Description	b ^{-0.3} -0.5	L-0.5	H	d		
DIN 508-8-M6-NI	8	13	10	M6	6	8	9
DIN 508-10-M8-NI	10	15	12	M8	6	10	12
DIN 508-12-M10-NI	12	18	14	M10	7	12	20
DIN 508-14-M12-NI	14	22	16	M12	8	14	35
DIN 508-16-M14-NI	16	25	18	M14	9	16	49
DIN 508-18-M16-NI	18	28	20	M16	10	18	69