

Threaded plungers with screwdriver slotted head

- **Body**
Black-oxide steel, screwdriver slotted head.
- **Ball and spring**
Hardened steel ball, steel spring.

Features

The screwdriver slot on the head of the plunger is also useful to provide an indication of the position of the blocked element.

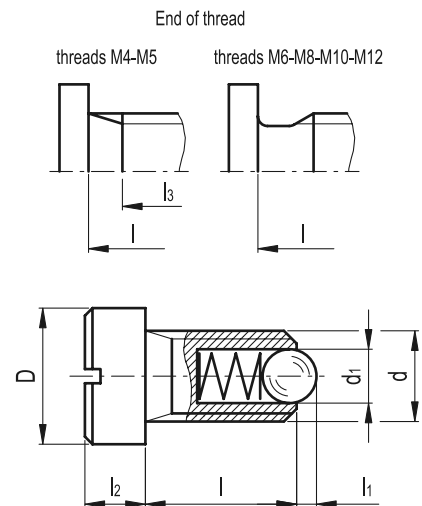
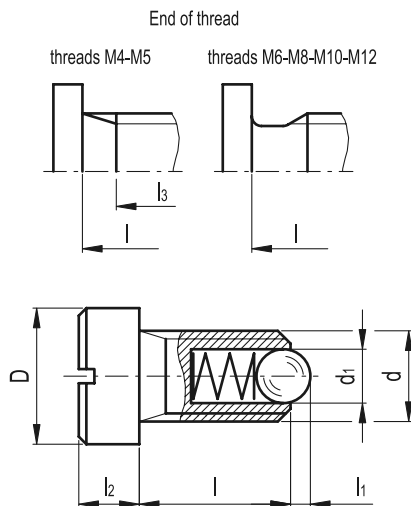
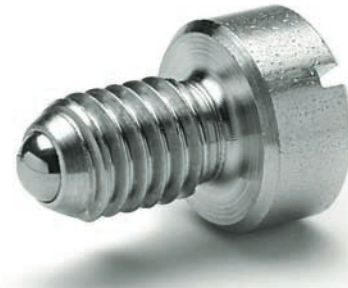
Threaded plungers with screwdriver slotted head

- **Body**
AISI 303 stainless steel, screwdriver slotted head.
- **Ball and spring**
Hardened stainless steel ball, stainless steel spring.

Features and applications

The screwdriver slot on the head of the plunger is also useful to provide an indication of the position of the blocked element.

AISI 303 stainless steel, thanks to its high resistance to corrosion, allows the application of these threaded plungers on machines and equipment in those sectors where laws or particular hygienic, climatic and environmental factors make it mandatory to use corrosion resistant materials.



Standard Elements	Main dimensions							Spring pressure		△△
	Description	d	d1	D	l	l1	l2	l3	Preload [N~]	
GN 815-M4-ST	M4	2.5	6	6.5	0.8	3	5	8	14	2
GN 815-M5-ST	M5	3	8	8.5	0.9	4	6.7	8	14	5
GN 815-M6-ST	M6	3.5	10	9	1	5	-	11	18	6
GN 815-M8-ST	M8	4.5	13	11	1.5	5.5	-	18	31	10
GN 815-M10-ST	M10	6	16	14	2	6	-	24	45	15
GN 815-M12-ST	M12	8	18	15	2.5	7	-	26	49	25

Standard Elements	Main dimensions							Spring pressure		△△
	Description	d	d1	D	l	l1	l2	l3	Preload [N~]	
GN 815-M4-NI	M4	2.5	6	6.5	0.8	3	5	8	14	2
GN 815-M5-NI	M5	3	8	8.5	0.9	4	6.7	8	14	5
GN 815-M6-NI	M6	3.5	10	9	1	5	-	11	18	6
GN 815-M8-NI	M8	4.5	13	11	1.5	5.5	-	18	31	10
GN 815-M10-NI	M10	6	16	14	2	6	-	24	45	15
GN 815-M12-NI	M12	8	18	15	2.5	7	-	26	49	25