

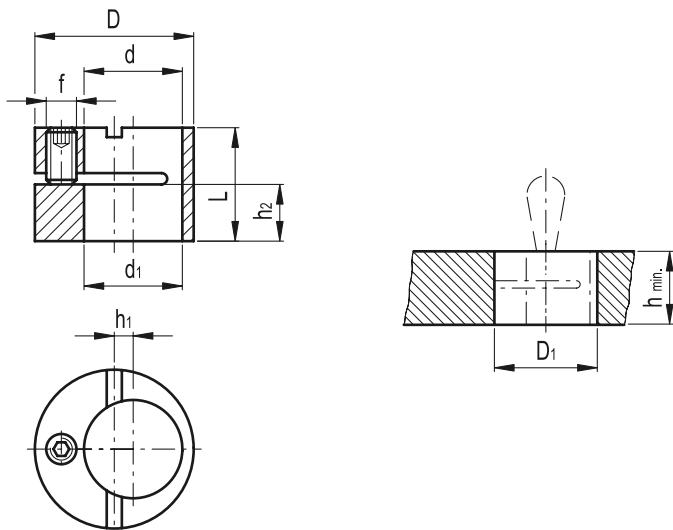
# GN 715.2

## Eccentric bushings

- **Material**  
Black-oxide steel.

### Features and applications

GN 715.2 eccentric bushings are used to position GN 715 (see page 566) side thrust pins correctly. By using the eccentric bushings, the thrust pin can be positioned very precisely to adapt to the tolerance of the piece to be machined.



Standard Elements	Main dimensions										⚖
Description	d	d1 +0.1	D h9	D1 H7	f	h	h1	h2	L -0.2	g	
GN 715.2-6	6	6.2	12	12	M4	10	2	4.4	9.9	5	
GN 715.2-10	10	10.2	16	16	M4	12	2	5.4	11.9	9	
GN 715.2-12	12	12.2	18	18	M4	14	2	6.6	13.9	13	
GN 715.2-16	16	16.2	25	25	M6	18	3	7.9	17.9	35	

# GN 716

## Side thrust pins

- **Material**  
Black-oxide steel.
- **Ball housing**
  - Execution **ENI, EKU**: technopolymer.
  - Execution **EST, BST**: black-oxide steel.
- **Ball**
  - Execution **EKU**: acetal resin.
  - Execution **EST, BST**: steel.
  - Execution **ENI**: stainless steel.
- **Spring**
  - Execution **ENI, EKU**: stainless steel.
  - Execution **EST, BST**: elastomer.

### Features and applications

GN 716 side thrust pins are designed for holding positioning and locating a work piece.

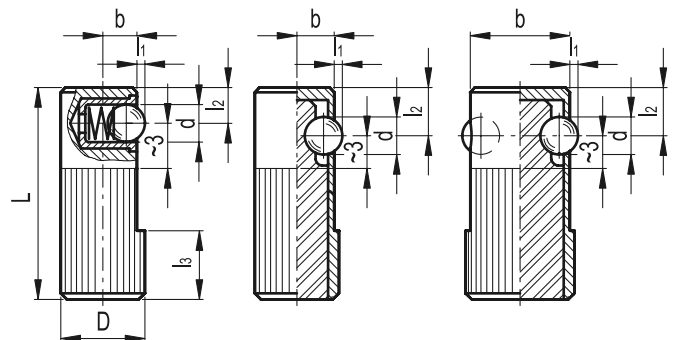
To ensure a positive hold, the steek body have to be pressed into the housing by at least the dimension l3. If these pins are stored over an extended period, the elastomer spring parts should be kept load free.



GN 716-ENI  
GN 716-EKU

GN 716-EST

GN 716-BST



Standard Elements	Main dimensions							Spring pressure		⚖	Location bore H8
	Description	D	L	d	b	l1	l2	l3	Preload [N~]		
GN 716-8-EKU	8	25	3	3.2	0.9	3.6	6	2.5	6.5	9	8
GN 716-10-EKU	10	30	4	4	1	4.2	7	4.5	9	17	10
GN 716-12-EKU	12	35	5	5	1.5	4.8	9	6.5	13	29	12
GN 716-14-EKU	14	40	6.5	5.4	1.8	5.8	10	8	18	43	14
GN 716-8-ENI	8	25	3	3.2	0.9	3.6	6	2.5	6.5	9	8
GN 716-10-ENI	10	30	4	4	1	4.2	7	4.5	9	17	10
GN 716-12-ENI	12	35	5	5	1.5	4.8	9	6.5	13	29	12
GN 716-14-ENI	14	40	6.5	5.4	1.8	5.8	10	8	18	43	14
GN 716-10-EST	10	30	5.5	4.5	1	7	8	50	160	9	10
GN 716-12-EST	12	35	6.5	5.5	1.5	8	9	60	270	13	12
GN 716-14-EST	14	40	8	6.5	2	9	10	100	380	19	14
GN 716-16-BST	16	35	5.5	15	1.5	7	11	36	190	20	16
GN 716-18-BST	18	40	6.5	17	1.8	8	12	38	270	27	18
GN 716-22-BST	22	45	8	21	2.5	9	15	40	410	43	22