

# GN 714

## Side thrust pins

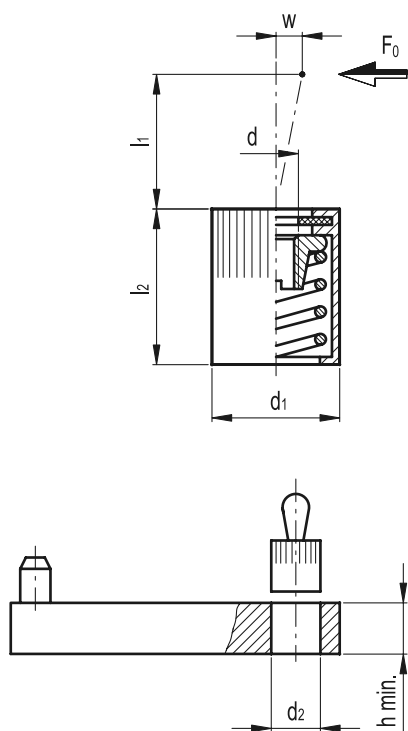


- **Body**  
Blank aluminium.
- **Thrust plate**  
Hardened black-oxide steel with female thread.
- **Gasket**  
NBR synthetic rubber.
- **Steel loaded spring**
  - Low spring load (grey)
  - Medium spring load (black)
  - High spring load (silver).

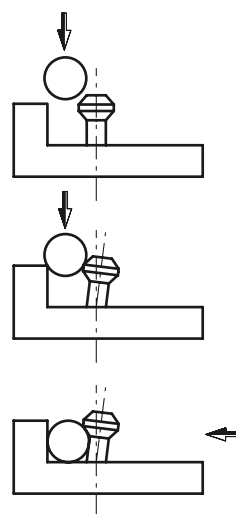
### Features and applications

GN 714 side thrust pins give the customer the opportunity to design his own pin, to be screwed into the thrust plate. The knurled body requires hole with H8 tolerance.

For easy mounting suitable tool GN 715.1 is available.



Application example



Standard Elements	Main dimensions							Preload	$\Delta\Delta$	Mounting tool
Description	d1	d2 H8	d	l1	l2-1	h min.	w	Fo [N~] at l2	g	Description
GN 714-10-20	10	10	M4	4	12	12	1.6	20	2	GN 715.1-5.6
GN 714-10-40	10	10	M4	7.5	12	12	2	40	2	GN 715.1-5.6
GN 714-10-50	10	10	M4	4	12	12	1.6	40	2	GN 715.1-5.6
GN 714-10-75	10	10	M4	7.5	12	12	2	75	2	GN 715.1-5.6
GN 714-10-100	10	10	M4	4	12	12	1.6	100	2	GN 715.1-5.6
GN 714-10-150	10	10	M4	7.5	12	12	2	150	2	GN 715.1-5.6
GN 714-16-100	16	16	M6	11.5	18	18	3.2	100	9	GN 715.1-10
GN 714-16-200	16	16	M6	11.5	18	18	3.2	200	9	GN 715.1-10
GN 714-16-300	16	16	M6	11.5	18	18	3.2	300	10	GN 715.1-10