

# GN 713

## Side thrust pins

- **Body**  
Zinc-plated steel.
- **Oscillating pin**  
Case-hardened and zinc-plated steel.
- **Spring**  
Steel loaded spring  $D=6$  and  $D=10$ :
  - low spring load (silver)
  - medium spring load (gold)
  - high spring load (copper)
 Steel loaded spring  $D=5$ :
  - low spring load (copper)
  - medium spring load (silver)
  - high spring load (gold).
- **Standard execution**
  - Execution **SB**: gold body with NBR synthetic rubber gasket. Universal use also in environments with machining residues. Maximum working temperature  $120^{\circ}\text{C}$  (avoid contact with halocarbons, hydraulic fluids with a phosphoric ester base, nitrated hydrocarbons, ketones, toluol, strong acids).
- **Special execution on request** (For sufficient quantities)
  - Execution **SA**: silver body without gasket. Universal use preferably in environments without machining residues. Maximum working temperature  $250^{\circ}\text{C}$ .



8

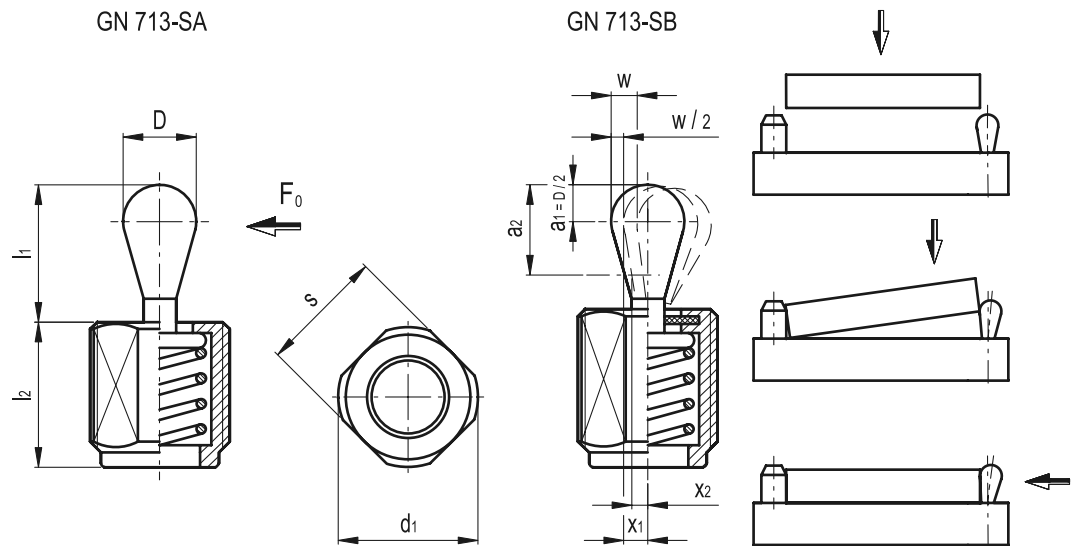
568

Indexing elements

### Features and applications

The threaded body of GN 713 side thrust pins allows to adjust the protruding height of the element. For design and assembly information see GN 715 (see page 566) side thrust pins.

To insert these side thrust pins suitable GN 713.1 spanners are available.



Standard Elements	Main dimensions				Mounting dimensions						Preload	$\triangle$	Spanner
Description	D	h1	h2 -1.5	d1	a1	a2	s	w	x1	x2	F0 [N]	g	Description
GN 713-5-20-11.5-SB	5	6	11.5	M12	2.5	5.7	10	1.6	1.7	1.3	20	4	GN 713.1-5.6
GN 713-5-20-19-SB	5	6	19	M12	2.5	5.7	10	1.6	1.7	1.3	20	6	GN 713.1-5.6
GN 713-5-50-11.5-SB	5	6	11.5	M12	2.5	5.7	10	1.6	1.7	1.3	50	4	GN 713.1-5.6
GN 713-5-50-19-SB	5	6	19	M12	2.5	5.7	10	1.6	1.7	1.3	50	6	GN 713.1-5.6
GN 713-5-100-11.5-SB	5	6	11.5	M12	2.5	5.7	10	1.6	1.7	1.3	100	4	GN 713.1-5.6
GN 713-5-100-19-SB	5	6	19	M12	2.5	5.7	10	1.6	1.7	1.3	100	7	GN 713.1-5.6
GN 713-6-40-11.5-SB	6	10	11.5	M12	3	7.7	10	1.8	1.9	1.4	40	5	GN 713.1-5.6
GN 713-6-40-19-SB	6	10	19	M12	3	7.7	10	1.8	1.9	1.4	40	7	GN 713.1-5.6
GN 713-6-75-11.5-SB	6	10	11.5	M12	3	7.7	10	1.8	1.9	1.4	75	5	GN 713.1-5.6
GN 713-6-75-19-SB	6	10	19	M12	3	7.7	10	1.8	1.9	1.4	75	7	GN 713.1-5.6
GN 713-6-150-11.5-SB	6	10	11.5	M12	3	7.7	10	1.8	1.9	1.4	150	5	GN 713.1-5.6
GN 713-6-150-19-SB	6	10	19	M12	3	7.7	10	1.8	1.9	1.4	150	7	GN 713.1-5.6
GN 713-10-100-18-SB	10	16	18	M18x1.5	5	10.7	16	3.2	3.4	2.7	100	19	GN 713.1-10
GN 713-10-100-31.5-SB	10	16	31.5	M18x1.5	5	10.7	16	3.2	3.4	2.7	100	28	GN 713.1-10
GN 713-10-200-18-SB	10	16	18	M18x1.5	5	10.7	16	3.2	3.4	2.7	200	20	GN 713.1-10
GN 713-10-200-31.5-SB	10	16	31.5	M18x1.5	5	10.7	16	3.2	3.4	2.7	200	29	GN 713.1-10
GN 713-10-300-18-SB	10	16	18	M18x1.5	5	10.7	16	3.2	3.4	2.7	300	21	GN 713.1-10
GN 713-10-300-31.5-SB	10	16	31.5	M18x1.5	5	10.7	16	3.2	3.4	2.7	300	30	GN 713.1-10