

GN 614.1

Holders for smooth ball spring plungers



- **Material**

Nickel-plated die-cast zinc.

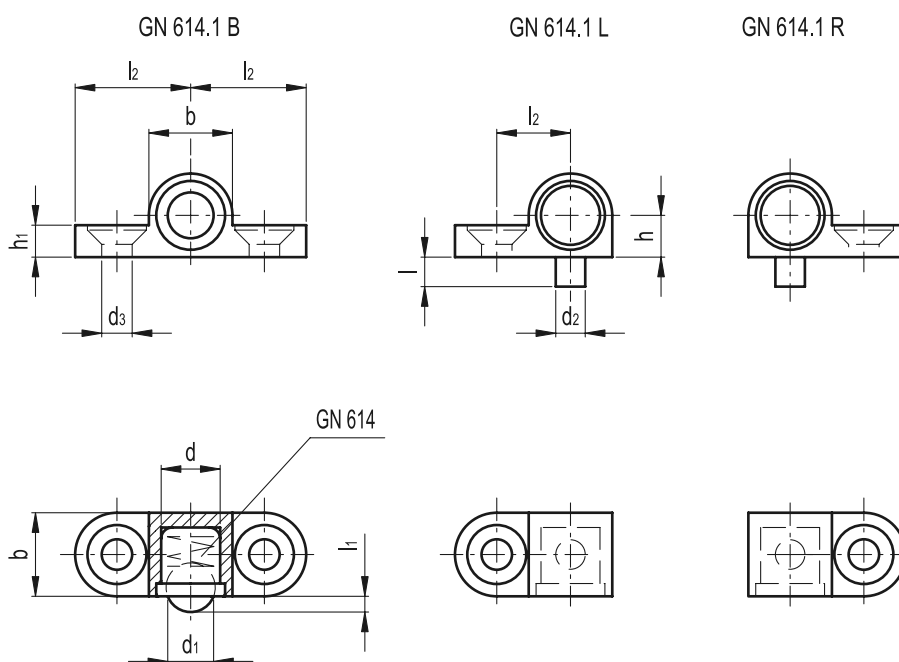
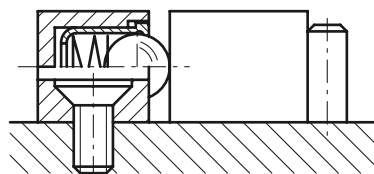
- **Fixing**

- Execution **B**: two-side fixing wings.
- Execution **L**: left-side fixing wing with positioning pin.
- Execution **R**: right-side fixing wing with positioning pin.

- **Applications**

GN 614.1 holders for spring plungers optimise the use of smooth ball spring plungers type GN 614 (see page 558) and GN 614-NI (see page 558).

Application example



Standard Elements	Main dimensions									Mounting hole		⚖
Description	d ^{-0.05}	d ₁	d ₂ ^{-0.05}	b	h ^{±0.05}	h ₁	l	l ₁ ^{-0.1}	l ₂ ^{±0.05}	d ₃	Screw	g
GN 614.1-6-B	6	5	3	8.5	4.25	3.2	3	1.5	7.5	3.2	M3	5
GN 614.1-8-B	8	6.5	4	10.5	5.25	4.2	4	1.8	9.5	4.3	M4	5
GN 614.1-6-L	6	5	3	8.5	4.25	3.2	3	1.5	7.5	3.2	M3	5
GN 614.1-8-L	8	6.5	4	10.5	5.25	4.2	4	1.8	9.5	4.3	M4	5
GN 614.1-6-R	6	5	3	8.5	4.25	3.2	3	1.5	7.5	3.2	M3	5
GN 614.1-8-R	8	6.5	4	10.5	5.25	4.2	4	1.8	9.5	4.3	M4	5