

# GN 513

## Threaded spring elements

### • Threaded body

Zinc-plated steel, blue passivated.

### • Standard executions available

Black-oxide and case-hardened steel end.

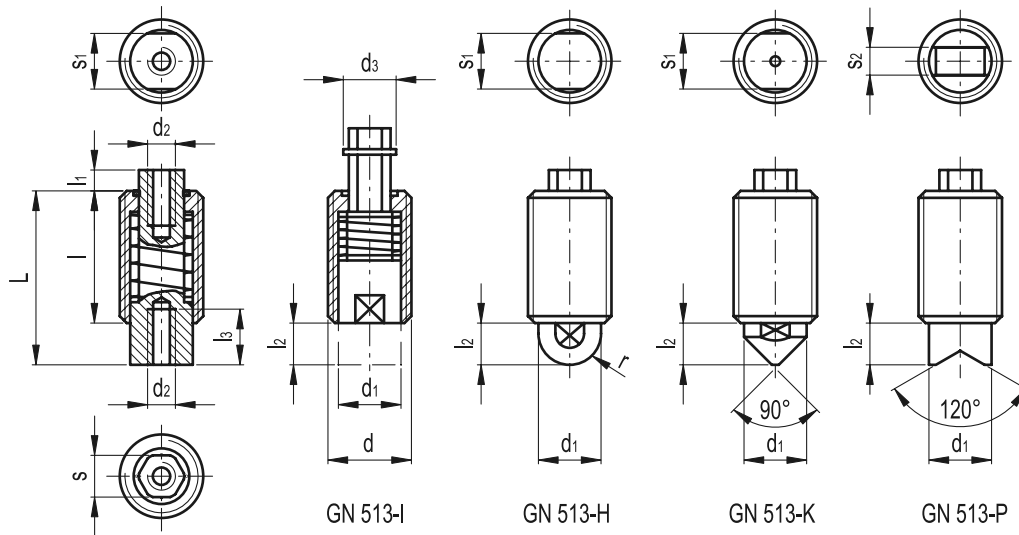
- Execution **I**: with female thread.
- Execution **H**: semispherical.
- Execution **K**: with bolt.
- Execution **P**: prismatic.

Spring pressure:

- description with suffix **-1**: normal end-force spring, with phosphatised steel back assembly ring, anthracite colour;
- description with suffix **-2**: heavy end-force spring, with zinc-plated steel back assembly ring, blue passivated.

### Applications

GN 513 threaded spring elements are suitable for detenting, positioning or for clamping elements by means of the spring pressure load.



Standard Elements	Main dimensions												Spring pressure		g	
	Description	d	d1	d2	d3	L	l	l1	l2	l3	r	s	s1	s2		Preload [N~]
GN 513-M12x1.5-H-1	M12x1.5	9	M4	7.6	25	19	3	6	-	4.5	-	8	-	16	35	10
GN 513-M12x1.5-I-1	M12x1.5	9	M4	7.6	25	19	3	6	8	-	6	8	-	16	35	10
GN 513-M12x1.5-K-1	M12x1.5	9	M4	7.6	25	19	3	6	-	-	-	8	-	16	35	13
GN 513-M12x1.5-P-1	M12x1.5	9	M4	7.6	25	19	3	6	-	-	-	-	4	16	35	12
GN 513-M16x1.5-H-1	M16x1.5	12	M5	8.8	35	27	3	8	-	6	-	10	-	25	71	30
GN 513-M16x1.5-I-1	M16x1.5	12	M5	8.8	35	27	3	8	10	-	7	10	-	25	71	30
GN 513-M16x1.5-K-1	M16x1.5	12	M5	8.8	35	27	3	8	-	-	-	10	-	25	71	30
GN 513-M16x1.5-P-1	M16x1.5	12	M5	8.8	35	27	3	8	-	-	-	-	6	25	71	29
GN 513-M20x1.5-H-1	M20x1.5	14.5	M6	11.4	43	33	4	10	-	7.2	-	12	-	40	130	66
GN 513-M20x1.5-I-1	M20x1.5	14.5	M6	11.4	43	33	4	10	12	-	9	12	-	40	130	65
GN 513-M20x1.5-K-1	M20x1.5	14.5	M6	11.4	43	33	4	10	-	-	-	12	-	40	130	65
GN 513-M20x1.5-P-1	M20x1.5	14.5	M6	11.4	43	33	4	10	-	-	-	-	8	40	130	64
GN 513-M12x1.5-H-2	M12x1.5	9	M4	7.6	25	19	3	6	-	4.5	-	8	-	18	56	10
GN 513-M12x1.5-I-2	M12x1.5	9	M4	7.6	25	19	3	6	8	-	6	8	-	18	56	10
GN 513-M12x1.5-K-2	M12x1.5	9	M4	7.6	25	19	3	6	-	-	-	8	-	18	56	12
GN 513-M12x1.5-P-2	M12x1.5	9	M4	7.6	25	19	3	6	-	-	-	-	4	18	56	12
GN 513-M16x1.5-H-2	M16x1.5	12	M5	8.8	35	27	3	8	-	6	-	10	-	45	125	32
GN 513-M16x1.5-I-2	M16x1.5	12	M5	8.8	35	27	3	8	10	-	7	10	-	45	125	32
GN 513-M16x1.5-K-2	M16x1.5	12	M5	8.8	35	27	3	8	-	-	-	10	-	45	125	31
GN 513-M16x1.5-P-2	M16x1.5	12	M5	8.8	35	27	3	8	-	-	-	-	6	45	125	31
GN 513-M20x1.5-H-2	M20x1.5	14.5	M6	11.4	43	33	4	10	-	7.2	-	12	-	65	200	67
GN 513-M20x1.5-I-2	M20x1.5	14.5	M6	11.4	43	33	4	10	12	-	9	12	-	65	200	67
GN 513-M20x1.5-K-2	M20x1.5	14.5	M6	11.4	43	33	4	10	-	-	-	12	-	65	200	63
GN 513-M20x1.5-P-2	M20x1.5	14.5	M6	11.4	43	33	4	10	-	-	-	-	8	65	200	65