

GN 822

Mini indexing plungers



- **Threaded body**

Zinc-plated steel.

- **Plunger**

AlSi 303 stainless steel. Suggested matching hole with tolerance +0.05/+0.1.

- **"Push/Pull" knurled knob**

Polyamide based (PA) technopolymer, black colour, matte finish. Resistant to solvents, oils, greases and other chemical agents.

- **Standard executions available**

- Execution **B**: without rest position.

- Execution **C**: with rest position - pull the knob and turn it by 30°.

Accessories on request (For sufficient quantities)

GN 609 black-oxide steel distance bushings are available for making up for the length of the threading in case the plunger is assembled on thin sheets.

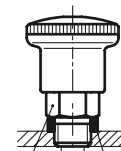
Features and applications

GN 822 mini indexing plungers are particularly indicated for assembly on thin metal sheets, thanks to their small dimensions. The technopolymer knurled knob offers a safe and solid grip during operations.

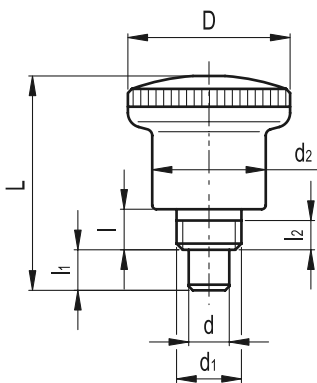
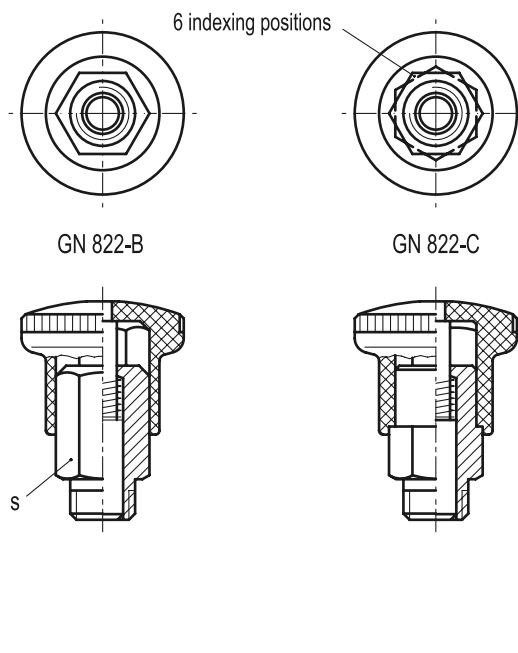
Instructions of use

When retracting the plunger, the flat faces on the metal body are revealed. Hence the mini indexing plunger can be easily assembled and tightened by means of a hexagonal spanner.

Instructions of use



Distance bushing GN 609
Hexagonal flats faces (visible only when plunger is in retracted position)



Standard Elements	Main dimensions									Spring pressure		⚖ g
	d -0.06	d1	D	d2	L	l	l1 min.	l2 min.	s	Preload [N~]	Max. load [N~]	
GN 822-4-B-ST	4	M8x0.75	21	15	26.5	5	5	3.5	10	4.5	12	13
GN 822-5-B-ST	5	M8x0.75	21	15	26.5	5	5	3.5	10	4.5	12	14
GN 822-6-B-ST	6	M10x1	25	18	34	7	7	4.5	12	5	18	24
GN 822-7-B-ST	7	M10x1	25	18	34	7	7	4.5	12	5	18	25
GN 822-4-C-ST	4	M8x0.75	21	15	26.5	5	5	3.5	10	4.5	12	14
GN 822-5-C-ST	5	M8x0.75	21	15	26.5	5	5	3.5	10	4.5	12	14
GN 822-6-C-ST	6	M10x1	25	18	34	7	7	4.5	12	5	18	24
GN 822-7-C-ST	7	M10x1	25	18	34	7	7	4.5	12	5	18	25