

GN 712.1

Cam action indexing plungers

- **Threaded body**
Zinc-plated steel, blue passivated.
- **Plunger**
Nitrided steel. Suggested matching hole G7 tolerance.
- **Locking nut**
Zinc-plated steel.
- **Lever**
Polyamide based (PA) technopolymer, black colour, matte finish, not removable.
- **Standard executions available**
 - Execution **A**: without rest position, without lock nut.
 - Execution **AK**: without rest position, with lock nut, ISO 8675.
 - Execution **R**: with rest position, without lock nut.
 - Execution **RK**: with rest position and lock nut, ISO 8675.
 - Execution **S**: with safety-rest position and without lock nut.
 - Execution **SK**: with safety-rest position and lock nut, ISO 8675.

Special executions on request (For sufficient quantities)

Stainless steel cam action indexing plungers GN 712.6.

Features and applications

Cam action indexing plungers GN 712.1 are used in such applications where the plunger has to protrude only occasionally. When turning the cam by 90 resp. 120 degrees in clockwise direction, the plunger is moved through a curved opening in the body. After that, the plunger is protruded.

Depending on the type, the plunger is moved back by a spring in its original position (execution **A**), is held in protruded position (execution **R**), resp. is secured against accidental operation (execution **S**).

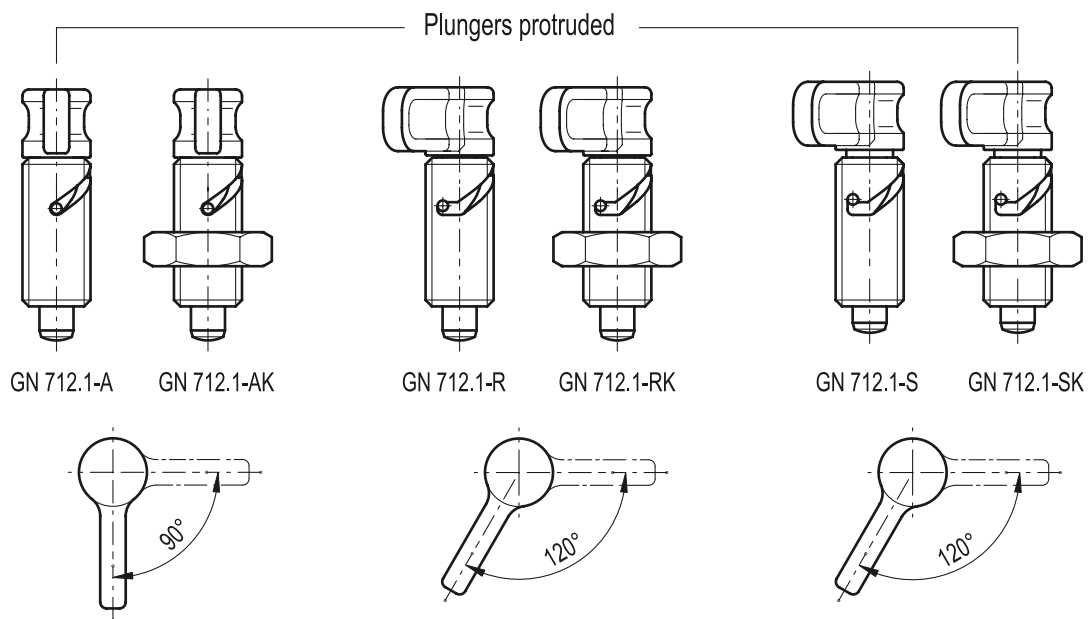
In order to move the plunger, safety version Execution **S** requires an additional lifting of the bolt.



8

548

Indexing elements

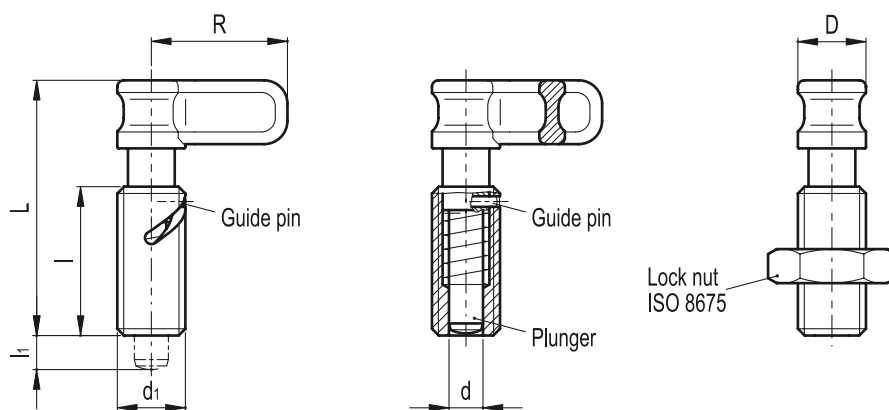


GN 712.1

8

549

Indexing elements



Standard Elements	Main dimensions							Spring pressure		g
	Description	$d \begin{smallmatrix} -0.02 \\ -0.04 \end{smallmatrix}$	d_1	D	L~	l	$l_1 \pm 0.5$	R	Preload [N~]	
GN 712.1-6-M16x1.5-A	6	M16x1.5	16	51	35	8	32	7	16.5	50
GN 712.1-8-M16x1.5-A	8	M16x1.5	16	51	35	8	32	7	16.5	50
GN 712.1-6-M16x1.5-AK	6	M16x1.5	16	51	35	8	32	7	16.5	67
GN 712.1-8-M16x1.5-AK	8	M16x1.5	16	51	35	8	32	7	16.5	67
GN 712.1-6-M16x1.5-R	6	M16x1.5	16	51	35	8	32	7	16.5	50
GN 712.1-8-M16x1.5-R	8	M16x1.5	16	51	35	8	32	7	16.5	50
GN 712.1-6-M16x1.5-RK	6	M16x1.5	16	51	35	8	32	7	16.5	67
GN 712.1-8-M16x1.5-RK	8	M16x1.5	16	51	35	8	32	7	16.5	67
GN 712.1-6-M16x1.5-S	6	M16x1.5	16	51	35	6	32	7	16.5	50
GN 712.1-8-M16x1.5-S	8	M16x1.5	16	51	35	6	32	7	16.5	50
GN 712.1-6-M16x1.5-SK	6	M16x1.5	16	51	35	6	32	7	16.5	67
GN 712.1-8-M16x1.5-SK	8	M16x1.5	16	51	35	6	32	7	16.5	67