

GN 6336.7

Lobe knobs with indexing plungers



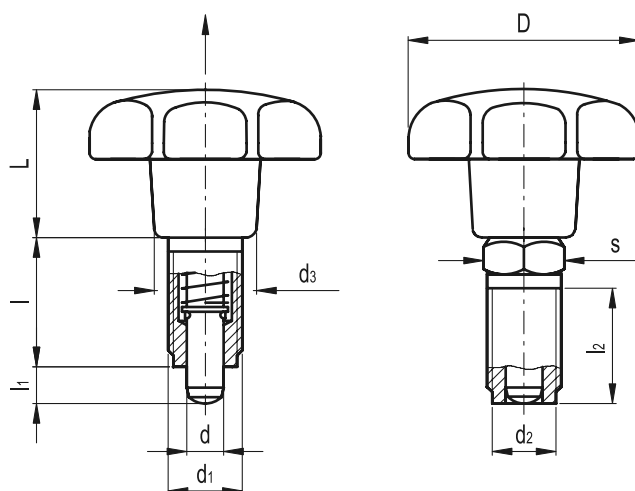
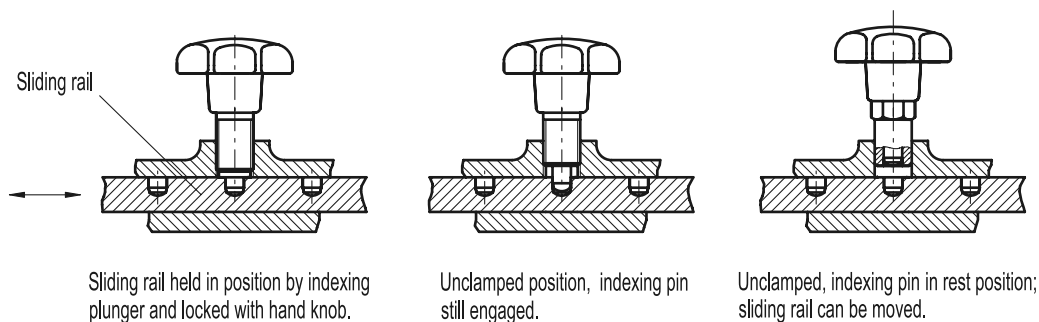
- **Material**
Bright zinc-plated steel.
- **Plunger**
Hardened steel. Suggested matching hole in G7 tolerance.
- **Lobe knob**
Type DIN 6336, high impact strength polyamide based (PA) technopolymer, black colour, matte finish. Resistant to solvents, oils, greases and other chemical agents.

Features and applications

GN 6336.7 lobe knobs with plunger are used where adjustable stops have to be re-positioned, clamped and locked simultaneously.

By pulling the hand knob the spring loaded plunger is withdrawn from its rest position. Since the hand knob is bonded to the hexagonal head of the plunger it can be used for either clamping or unclamping.

Application example



Standard Elements	Main dimensions										Spring pressure		⚖
	D	L	d ₁	d ₂	d ₃	$d - 0.04$ ^{-0.02}	l	l ₁	l ₂	s	Preload [N~]	Max load [N~]	
GN 6336.7-32-M10x1-5	32	20	M10x1	8.6	15.5	5	19	5	17	10	7	17	21
GN 6336.7-40-M12x1.5-6	40	25	M12x1.5	9.9	19	6	21	6	19	12	9	24	35
GN 6336.7-50-M16x1.5-8	50	32	M16x1.5	13.9	22.5	8	28	8	26	16	11	30	75