

GN 612.1

Mounting blocks

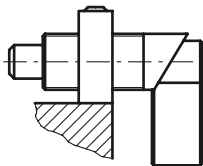
- **Material**
Black-oxide steel.
- **Set screw**
Black-oxide steel, GN 913.3-MS (see page 588) type with brass pad.

Features and applications

GN 612.1 mounting blocks broaden the mounting possibilities and are an added feature for the lever indexing plungers GN 612 (see page 538). They can also be used with indexing plungers GN 613-6, GN 613-8 and GN 613-10 (see page 512).



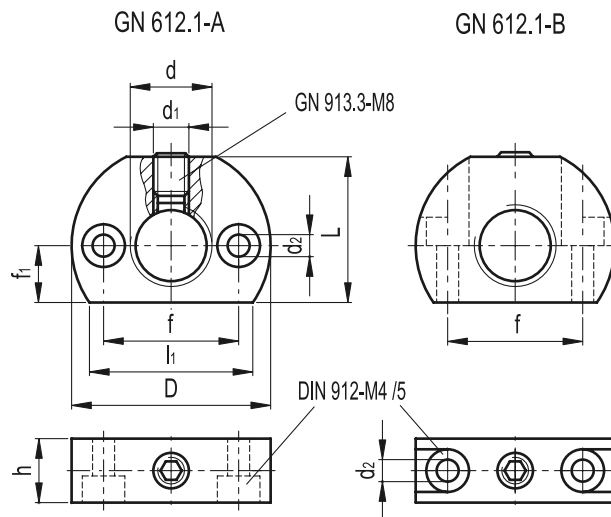
Application example
GN 612.1-B



8

544

Indexing elements



Standard Elements	Main dimensions									△△
Description	d	d ₁	d ₂	D	L	h	l ₁ ~	f ±0.1	f ₁	g
GN 612.1-M12x1.5-A	M12x1.5	M5	4.5	32	22	12	26.5	21	9	85
GN 612.1-M12x1.5-B	M12x1.5	M5	4.5	32	22	12	26.5	21	9	91
GN 612.1-M16x1.5-A	M16x1.5	M8	5.5	46	33	15	37	32	13	90
GN 612.1-M16x1.5-B	M16x1.5	M8	5.5	46	33	15	37	32	13	100
GN 612.1-M20x1.5-A	M20x1.5	M8	5.5	46	33	15	37	32	13	95
GN 612.1-M20x1.5-B	M20x1.5	M8	5.5	46	33	15	37	32	13	110



elessa+GANter

ELESA and GANTER models all rights reserved in accordance with the law. Always mention the source when reproducing our drawings.