

# GN 608.1

## Indexing plungers with flange and rest position



- **Body with flange**

Zinc-plated die-cast zinc alloy with two holes for assembly with countersunk head screws.

- **Plunger**

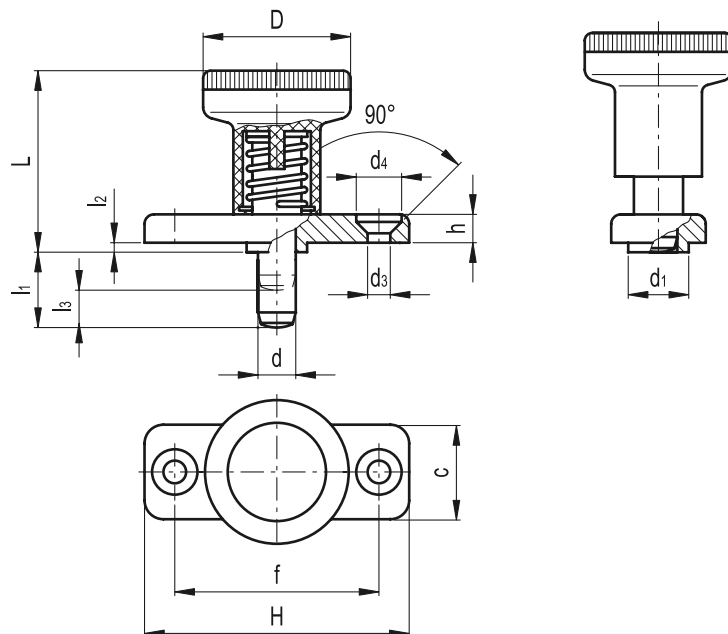
Black-oxide steel with hardened end. Suggested matching hole in H7 tolerance.

- **"Push/Pull" knurled knob**

High resilience polyamide based (PA) technopolymer, black colour, matte finish. Resistant to solvents, oils, greases and other chemical agents.

### Applications

GN 608.1 indexing plungers with rest position have compact dimensions and are used on thin metal sheets and where the plunger needs to be locked in the retracted position.



Standard Elements	Main dimensions													Spring pressure		Axial holding force [N]	△ g
	<sup>-0.02</sup> d-0.04	H	c	<sup>-0.02</sup> d1-0.1	D	d3	d4	f	L	l1	l2 <sup>-0.15</sup>	l3 stroke	h	Preload [N~]	Max. load [N~]		
GN 608.1-6-6	6	40	18	10	25	4.3	8.3	30	31	6	2.5	6	4.5	8.5	22	400	36
GN 608.1-6-14	6	40	18	10	25	4.3	8.3	30	31	14	2.5	6	4.5	8.5	22	400	42
GN 608.1-8-8	8	46	20	12	31	5.3	10.4	34	36	8	2.5	8	5.5	15.5	28	500	58
GN 608.1-8-18	8	46	20	12	31	5.3	10.4	34	36	18	2.5	8	5.5	15.5	28	500	66