

GN 607.3

Indexing plungers with rest position



- **Threaded body**
Zinc-plated steel.
- **Plunger**
Nickel-plated AISI 303 stainless steel. Suggested matching hole in G7 tolerance.
- **Centre bush**
Zinc-plated steel.
- **“Push/Pull” knurled knob**
High resilience polyamide based (PA) technopolymer, black colour, matte finish. Resistant to solvents, oils, greases and other chemical agents.

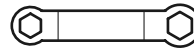
Features and applications

GN 607.3 indexing plungers with rest position can be assembled on thin section metal sheets (from 1 to 5 mm). The plunger may not retract completely on its starting position according to the thickness of the metal sheet “s”.

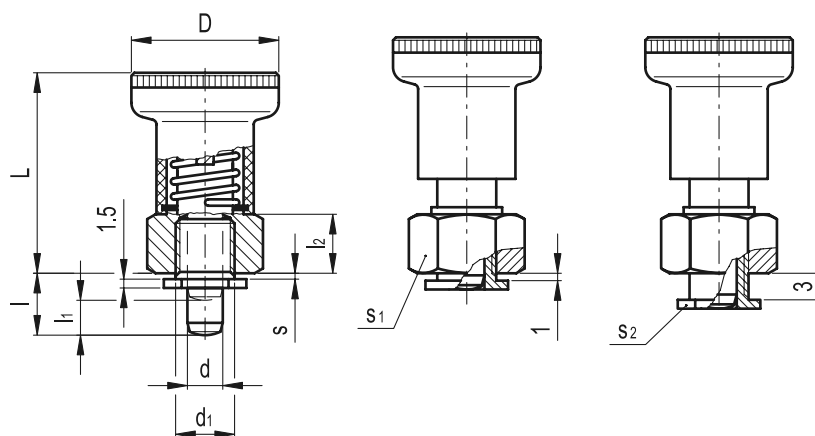
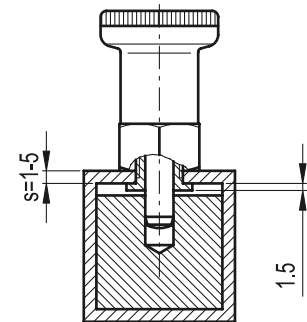
GN 607.3 indexing plungers with rest position are used where positioning operations are required and in those applications where the plunger needs to be locked in the retracted position.

A double ring spanner (1mm thick zinc plated sheet steel) for installing this indexing plunger is available (code GN 607.9-SW14-SW16).

GN 607.9



Application example



Standard Elements	Main dimensions										Spring pressure		Axial holding force [N]	g
	Description	$d_{-0.02}^{-0.04}$	L	d ₁	D	l	l ₁ stroke	l ₂	s clamping distance	s ₁	s ₂	Preload [N~]		
GN 607.3-6-8.5-ST	6	34	M10	25	8.5	6	10	1÷5	17	14	8.5	22	400	40
GN 607.3-6-10.5-ST	6	34	M10	25	10.5	6	10	1÷5	17	14	8.5	22	400	40
GN 607.3-8-10-ST	8	40	M12	31	10	7.5	12	1÷5	19	16	15.5	28	500	62
GN 607.3-8-12-ST	8	40	M12	31	12	7.5	12	1÷5	19	16	15.5	28	500	62