

Indexing plungers with rest position



- **Threaded body**
AISI 303 stainless steel.
- **Plunger**
Nickel-plated AISI 303 stainless steel. Suggested matching hole in H7 tolerance.
- **Locking nut**
AISI 304 stainless steel.
- **“Push/Pull knurled knob**
High resilience polyamide based (PA) technopolymer, black colour, matte finish. Resistant to solvents, oils, greases and other chemical agents.
- **Standard executions available**
 - Execution **A**: with knob, without locking nut.
 - Execution **AK**: with knob and locking nut, ISO 8675.

Accessories on request (For sufficient quantities)

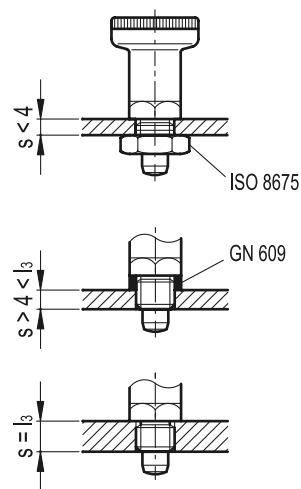
GN 609.5 AISI 303 stainless steel distance bushings are available for making up for the length of the threading in case the plunger is assembled on thin sheets.

Features and applications

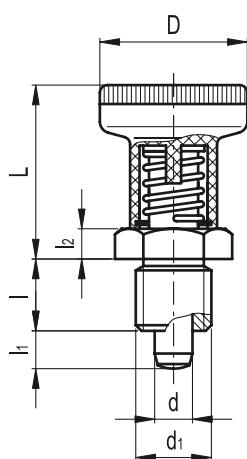
GN 607.1-NI indexing plungers with rest position have compact dimensions and are used on thin metal sheets and where the plunger needs to be locked in the retracted position.

AISI 303 stainless steel, thanks to its high resistance to corrosion, allows the application of these indexing plungers on machines and equipment in those sectors where laws or particular hygienic, climatic and environmental factors make it mandatory to use corrosion resistant materials.

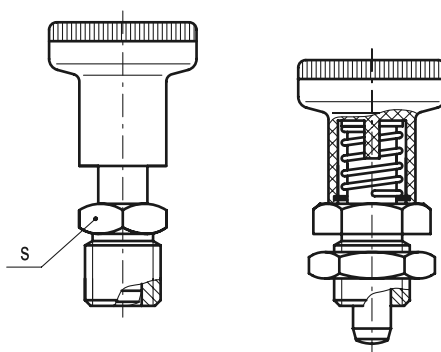
Assembly examples



GN 607.1-A



GN 607.1-AK



Standard Elements	Main dimensions									Spring pressure		Axial holding force [N]	△ g
	Description	$d \begin{smallmatrix} -0.02 \\ -0.04 \end{smallmatrix}$	d_1	D	L	$l \begin{smallmatrix} -0.15 \end{smallmatrix}$	$l_1 \text{ min.}$	l_2	s	Preload [N~]	Max. load [N~]		
GN 607.1-6-A-NI	6	M12x1.5	25	29	10	6	5	17	7	18	400	34	
GN 607.1-8-A-NI	8	M16x1.5	31	34	12	8	6	19	14	24	500	59	
GN 607.1-6-AK-NI	6	M12x1.5	25	29	10	6	5	17	7	18	400	42	
GN 607.1-8-AK-NI	8	M16x1.5	31	34	12	8	6	19	14	24	500	75	