

GN 607

Indexing plungers

- **Threaded body**

Black-oxide steel.

- **Plunger**

Black-oxide steel with hardened end. Suggested matching hole in H7 tolerance.

- **Locking nut**

Black-oxide steel.

- **"Push/Pull" knurled knob**

High resilience polyamide based (PA) technopolymer, black colour, matte finish. Resistant to solvents, oils, greases and other chemical agents.

- **Standard executions available**

- Execution **A**: with knob, without locking nut.
- Execution **AK**: with knob and locking nut, ISO 8675.

Accessories on request (For sufficient quantities)

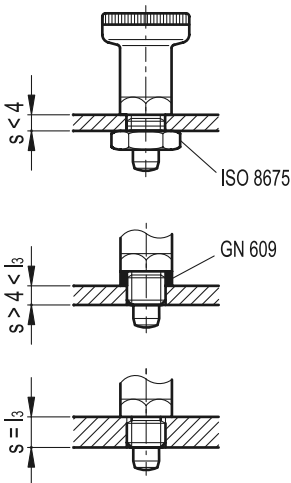
GN 609 black-oxide steel distance bushings are available for making up for the length of threading in case the plunger is assembled on thin sheets.

Applications

GN 607 indexing plungers have compact dimensions and are used on thin metal sheets.

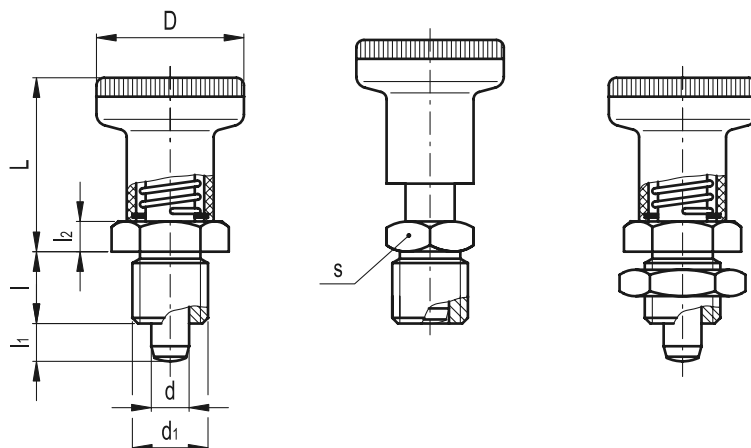


Assembly examples



GN 607-A

GN 607-AK



Standard Elements	Main dimensions								Spring pressure		Axial holding force [N]	⚖ g
	^{-0.02} d-0.04	d ₁	D	L	l-0.15	l ₁ min.	l ₂	s	Preload [N~]	Max. load [N~]		
GN 607-6-A-ST	6	M12x1.5	25	29	10	6	5	17	7	18	400	34
GN 607-8-A-ST	8	M16x1.5	31	34	12	8	6	19	14	24	500	60
GN 607-6-AK-ST	6	M12x1.5	25	29	10	6	5	17	7	18	400	43
GN 607-8-AK-ST	8	M16x1.5	31	34	12	8	6	19	14	24	500	76